

## Ceiling diffuser

11051063

The A 842 is a circular air diffuser with screw adjustment. For air diffusion in commercial buildings.



A 842 diffuser

**PRODUCT BENEFITS**

- wide airflow range,
- simple to adjust,
- easy to install in BA13 ceilings using specific clips (accessories).

**Principles of operation**

The A 842 is installed on plaster or BA13 ceilings using concealed attachments, or on exposed circular ducting. It offers vertical or horizontal airflow due to its adjustable diffusion function.

**Product description**

The A 842 is a screw-adjusted circular air diffuser for ventilation or air conditioning systems in commercial buildings. It is a 30% RAL9003 white epoxy painted aluminium cone with an ABS core. It can be installed in the ceiling or on exposed ductwork. It is available in sizes from Ø 160 to Ø 630 mm.

**Fields of application**

Non-residential buildings

**Installation**

The A 842 diffuser is installed in plaster or BA13 ceilings, or directly on exposed ducting using an LRE plenum or suitable attachments.

**Main characteristics**

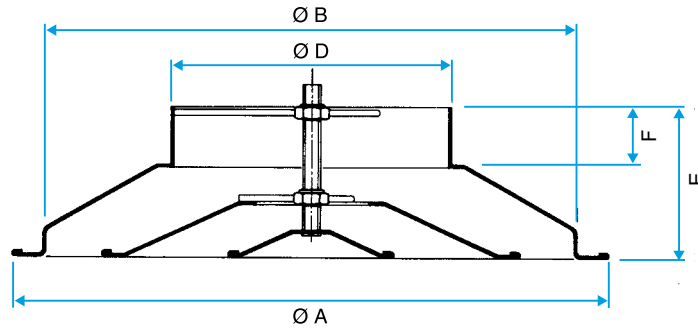
- horizontal or vertical air supply,
- adjustable diffusion by screw adjustment of the central cone,
- made of aluminium,
- ABS core,
- epoxy paint finish, RAL 9003 white, 30% gloss,
- concealed attachment to concrete slab,
- direct connection to circular duct or using an LRE plenum,
- attachment clips for installation in plaster ceilings.

Ceiling diffuser

11051063

**Supplementary characteristics**

- accessories:
  - BR: butterfly type damper with 2 or 4 V-shaped vanes,
  - LRE galvanised steel connection plenum with side branch connection,
  - set of clips for plaster/BA13 ceiling.



Diffuseur A 842

**Installation visual 1**

