

# 11052310

The BIM2 300 small terminal is used for wall-mounted air supply and supply or return when ceiling mounted - all applications in exhaust or HRV ventilation systems in small non-residential buildings.



BIM2 300 unit

## PRODUCT BENEFITS

- modern aesthetic,
- decorative finish,
- simple to install in all ceiling types.

### Principles of operation

The BIM2 300 small terminal is used for wall-mounted air supply and supply or return when ceiling mounted - all applications in exhaust or HRV ventilation systems in small non-residential buildings.

### Product description

The BIM2 300 is a small decorative aluminium terminal used on air supply and return applications in all exhaust or HRV ventilation systems in small non-residential buildings. Available from Ø 125 to Ø 200 mm.

### Fields of application

New, Refurbishment, Non-residential buildings

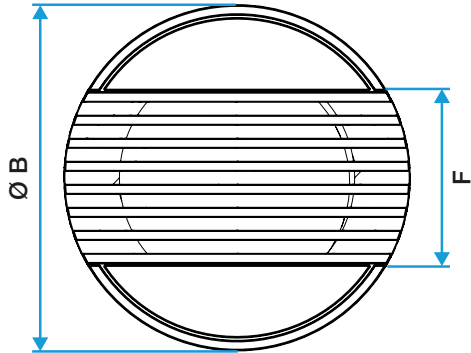
### Installation

- can be installed on wall (air supply) or ceiling (supply and return),
- safety cable supplied must be used if installed in ceiling.

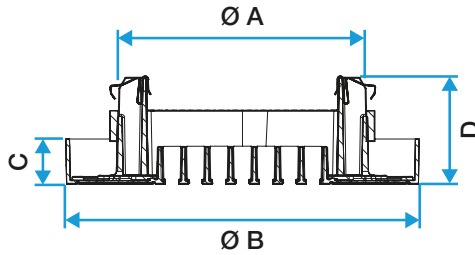
## 11052310

### Main characteristics

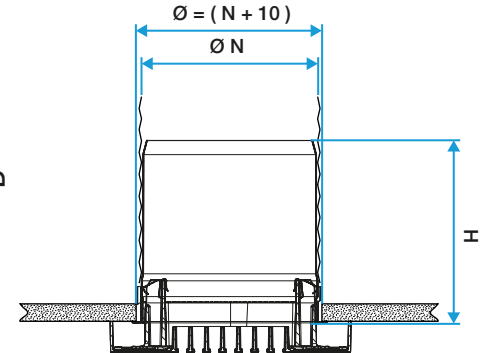
- injected aluminium terminal with attractive finish,
- epoxy paint finish, RAL 9010 white, 30% matt,
- clipped directly into dedicated metal sleeve,
- sleeve fitted with brackets for fast «quarter-turn» installation, suited to BA13 or plaster ceilings.



Bouche BIM2 300 - Vue de devant

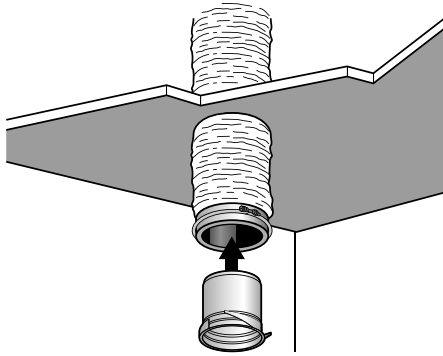


Bouche BIM2 300 - Vue de côté

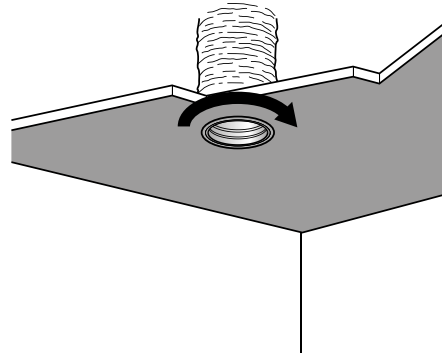


Bouche BIM2 300 avec sa manchette métallique

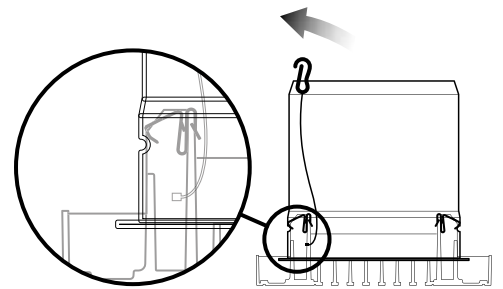
### Installation visual 1



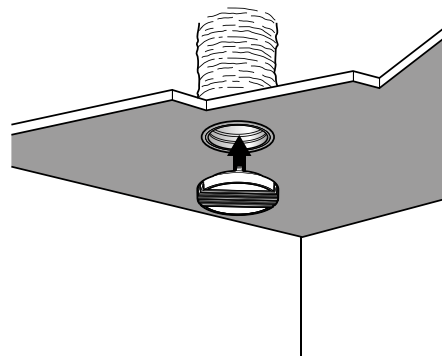
1



2



3



4