

Ceiling diffuser**11051360****A842 D160 RAL9010-30%**

The A 842 is a circular air diffuser with screw adjustment. For air diffusion in commercial buildings.



A842 D160 RAL9010-30%

PRODUCT BENEFITS

- wide airflow range,
- simple to adjust,
- easy to install in BA13 ceilings using specific clips (accessories).

Principles of operation

The A 842 is installed on plaster or BA13 ceilings using concealed attachments, or on exposed circular ducting. It offers vertical or horizontal airflow due to its adjustable diffusion function.

Product description

The A 842 is a screw-adjusted circular air diffuser for ventilation or air conditioning systems in commercial buildings. It is a 30% RAL9003 white epoxy painted aluminium cone with an ABS core. It can be installed in the ceiling or on exposed ductwork. It is available in sizes from Ø 160 to Ø 630 mm.

Fields of application

Non-residential buildings

Installation

The A 842 diffuser is installed in plaster or BA13 ceilings, or directly on exposed ducting using an LRE plenum or suitable attachments.

Reference arguments

- Made of aluminium.
- Adjustable air diffusion by screw adjustment of the central cone.
- Epoxy paint finish, RAL 9010 white, 30% gloss,
- Concealed attachment to concrete slab.
- Direct connection to circular duct or using an LRE plenum.
- Attachment clips for installation in plaster ceilings.

Main characteristics

- horizontal or vertical air supply,
- adjustable diffusion by screw adjustment of the central cone,
- made of aluminium,
- ABS core,
- epoxy paint finish, RAL 9003 white, 30% gloss,
- concealed attachment to concrete slab,
- direct connection to circular duct or using an LRE plenum,
- attachment clips for installation in plaster ceilings.

Ceiling diffuser

11051360

A842 D160 RAL9010-30%

Supplementary characteristics

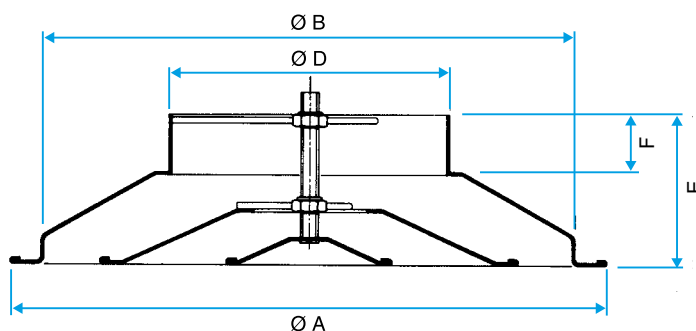
- accessories:
 - BR: butterfly type damper with 2 or 4 V-shaped vanes,
 - LRE galvanised steel connection plenum with side branch connection,
 - set of clips for plaster/BA13 ceiling.

Accessories

Désignations	References
Pack of 3 clips A842 D160	11053422
PLENUM LRE842/883 FO D160/160	11053311
BR CIRCULAR DAMPER D160	11053220
LRE Plenum diff circular FO D160 PC cfg	11053346

Dimensional data

References	E (mm)	F (mm)	L x H (mm)	P (mm)	Ø A (mm)	Ø B (mm)	Ø D (mm)
11051360	105	45	220X220	270	335	288	160



Diffuseur A 842

Ceiling diffuser

11051360

A842 D160 RAL9010-30%

Airflow data

References	Comfort airflow < 35 dB(A) (m³/h)
11051360	250

Installation visual 1

