

**Ceiling diffuser****11051362****A842 D250 RAL9010-30%**

The A 842 is a circular air diffuser with screw adjustment. For air diffusion in commercial buildings.

**PRODUCT BENEFITS**

- wide airflow range,
- simple to adjust,
- easy to install in BA13 ceilings using specific clips (accessories).

**Principles of operation**

The A 842 is installed on plaster or BA13 ceilings using concealed attachments, or on exposed circular ducting. It offers vertical or horizontal airflow due to its adjustable diffusion function.

**Product description**

The A 842 is a screw-adjusted circular air diffuser for ventilation or air conditioning systems in commercial buildings. It is a 30% RAL9003 white epoxy painted aluminium cone with an ABS core. It can be installed in the ceiling or on exposed ductwork. It is available in sizes from Ø 160 to Ø 630 mm.

**Fields of application**

Non-residential buildings

**Installation**

The A 842 diffuser is installed in plaster or BA13 ceilings, or directly on exposed ducting using an LRE plenum or suitable attachments.

**Reference arguments**

- Made of aluminium.
- Adjustable air diffusion by screw adjustment of the central cone.
- Epoxy paint finish, RAL 9010 white, 30% gloss,
- Concealed attachment to concrete slab.
- Direct connection to circular duct or using an LRE plenum.
- Attachment clips for installation in plaster ceilings.

**Main characteristics**

- horizontal or vertical air supply,
- adjustable diffusion by screw adjustment of the central cone,
- made of aluminium,
- ABS core,
- epoxy paint finish, RAL 9003 white, 30% gloss,
- concealed attachment to concrete slab,
- direct connection to circular duct or using an LRE plenum,
- attachment clips for installation in plaster ceilings.

Ceiling diffuser

**11051362**  
A842 D250 RAL9010-30%

**Supplementary characteristics**

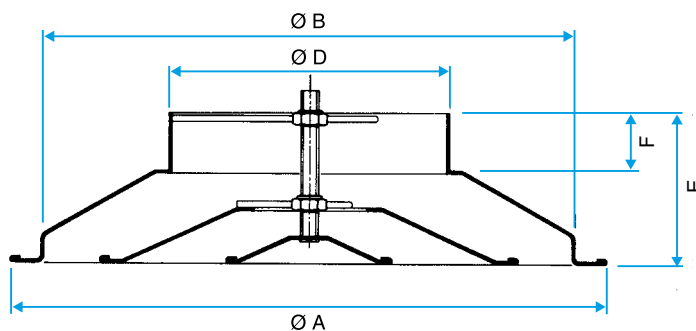
- accessories:
  - BR: butterfly type damper with 2 or 4 V-shaped vanes,
  - LRE galvanised steel connection plenum with side branch connection,
  - set of clips for plaster/BA13 ceiling.

**Accessories**

Désignations	Variants
Pack of 3 clips A842 D250	11053424
PLENUM LRE842/883 F0 D250/250	11053313
BR CIRCULAR DAMPER D250	11053222
LRE Plenum diff circular F0 D250 PC cfg	11053348
Distribution box LRE with side connection	11053368

**Dimensional data**

Variants	E (mm)	F (mm)	L x H (mm)	P (mm)	Ø A (mm)	Ø B (mm)	Ø D (mm)
11051362	130	48	315X315	360	517	461	250



Ceiling diffuser

11051362

A842 D250 RAL9010-30%

Airflow data

Variants	Comfort airflow < 35 dB(A) (m³/h)
11051362	650

Installation

