

Ceiling diffuser**11051371**
A842 TP D160 AXB 600X600 RAL9010-30%

The A 842 TP is a circular air diffuser with screw adjustment. For air diffusion in commercial buildings.



A842 TP D160 AXB 600X600 RAL9010-30%

PRODUCT BENEFITS

- replaces 600 x 600 mm suspended ceiling tile,
- wide airflow range,
- simple to adjust.

Principles of operation

The A 842 TP diffuser is installed in place of a standard 600 x 600 mm ceiling tile. It offers vertical or horizontal airflow due to its adjustable diffusion function.

Product description

The A 842 TP is a screw-adjusted circular air diffuser for ventilation or air conditioning systems in commercial buildings. It is a RAL9003 30% white epoxy painted aluminium cone with an ABS core built into an aluminium plate. It can be installed in the place of a standard 600 x 600 mm ceiling tile.

Fields of application

Non-residential buildings

Installation

The A 842 diffuser is installed in place of a standard 600 x 600 mm ceiling tile.

Reference arguments

- Made of aluminium.
- Diffusion adjustable using screw system.
- Design based on a standard A 842 diffuser where the outer cone is extended by a compensation plate for 600 x 600 mm ceiling panels.
- Concealed attachment to concrete slab. Note: the weight of the diffuser must not be borne by the suspended ceiling framework. Use the suspension cables on page xxx.
- Connection to circular duct or LRE plenum.
- Epoxy paint finish, RAL 9010 white 30% matt,

Main characteristics

- horizontal or vertical air supply,
- adjustable diffusion by screw adjustment of the central cone,
- made of aluminium,
- ABS core,
- epoxy paint finish, RAL 9003 white, 30% gloss,
- concealed attachment to concrete slab,
- installation in place of a standard 600 x 600 mm ceiling panel.

Supplementary characteristics

- accessories:
 - BR: butterfly type damper with 2 or 4 V-shaped vanes,
 - LRE galvanised steel connection plenum with side connection,
 - attachment clips for installation in plaster ceilings.

Accessories

Désignations	References
PLENUM LRE842/883 F0 D160/160	11053311
BR CIRCULAR DAMPER D160	11053220
LRE Plenum diff circular F0 D160 PC cfg	11053346

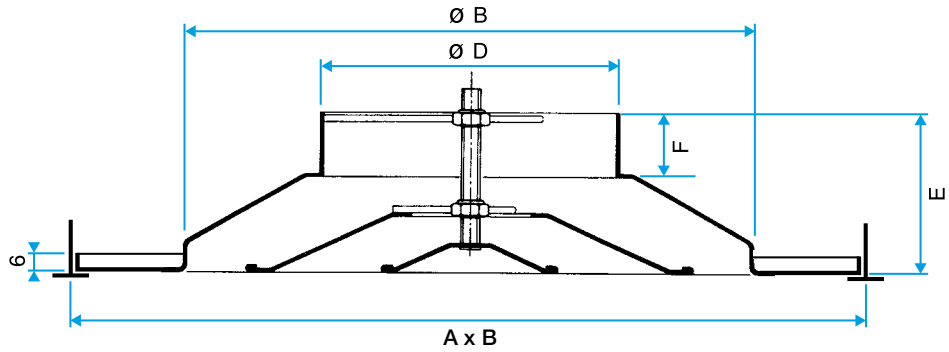
Ceiling diffuser

11051371

A842 TP D160 AXB 600X600 RAL9010-30%

Dimensional data

References	A x B* (mm)	E (mm)	F (mm)	P (mm)	Ø B (mm)	Ø D (mm)	Dimensions A x B (mm)
11051371	600X600	105	45	270	288	160	600X600



Diffuseur A 842 TP

Airflow data

References	Comfort airflow < 35 dB(A) (m³/h)
11051371	250