

## Wall grille

# 11050577

## AC 102D F3 200x100

The AC 102 D wall grille enables air supply on all ventilation and air-conditioning systems.



AC 102D F3 200x100

### PRODUCT BENEFITS

- adjustable vanes,
- aesthetic,
- easy to install / remove.

### Principles of operation

The AC 102 D dual-deflection has individually dirigible horizontal and vertical vanes to adjust the air supply level in a room.

### Product description

The AC 102 D is a steel dual deflection wall-mounted grille with individually adjustable, movable horizontal rear and vertical front vanes.

### Fields of application

New, Refurbishment, Non-residential buildings

### Installation

- wall installation,
- concealed F3 attachment using friction clips.

### Reference arguments

- AC 102 D anodised aluminium double-deflection indoor wall grille (supply air)
- Concealed F3 attachment using friction clips
- 200x100 mm
- Horizontal fins at the rear and vertical fins at the front, individually adjustable, 20 mm pitch
- Accessories: SGS damper (galvanised steel) or AGB damper (rough aluminium) counter-rotational motion, F4 or F6 galvanised steel mounting frame, galvanised steel connection plenum with MT rear connection or ME side connection

### Main characteristics

- anodised aluminium, natural satin colour,
- individually dirigible horizontal rear and vertical front vanes, 20 mm pitch.

### Accessories

Désignations	References
Adapter F4 200X100	11053761
PLEN. ME F3 200X100/D80 PC	11053662
MTF3 200X100/D80 PLENUM PA	11053632
RECT DAMPER SGS 200X100	11053241
PLEN MEI PC (5)F3 200X100D125	11053391
ME plenum F3 200x100 D125 PC aircon cfg	11053381
ME Plenum F3 200x100/D80 PC cfg	11053611
MT Plenum F3 200X100/D80 PA cfg	11053430

### General data

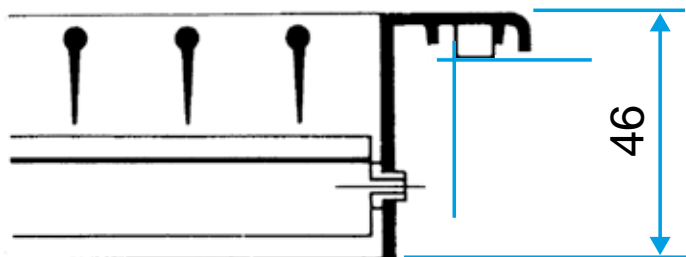
References	Type of finish	Colour
11050577	Aluminium	Aluminium with mosquito mesh

Wall grille

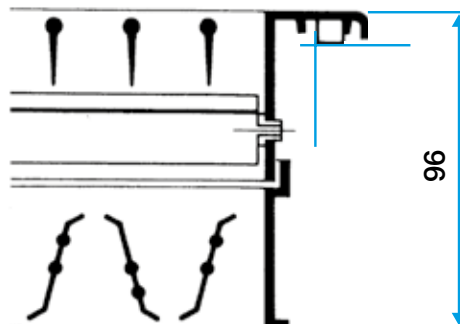
11050577  
AC 102D F3 200x100

Dimensional data

References	H (mm)	L (mm)
11050577	100	200



Grille AC 102 D seule



Grille AC 102 D avec registre AGB ou SGS monté

Airflow data

References	Comfort airflow for $L_w < NR 25$ (m <sup>3</sup> /h)
11050577	200