

Wall grille

11050579

AC 102D F3 300x100

The AC 102 D wall grille enables air supply on all ventilation and air-conditioning systems.



AC 102D F3 300x100

PRODUCT BENEFITS

- adjustable vanes,
- aesthetic,
- easy to install / remove.

Principles of operation

The AC 102 D dual-deflection has individually dirigible horizontal and vertical vanes to adjust the air supply level in a room.

Product description

The AC 102 D is a steel dual deflection wall-mounted grille with individually adjustable, movable horizontal rear and vertical front vanes.

Fields of application

New, Refurbishment, Non-residential buildings

Installation

- wall installation,
- concealed F3 attachment using friction clips.

Reference arguments

- AC 102 D anodised aluminium double-deflection indoor wall grille (supply air)
- Concealed F3 attachment using friction clips
- 300x100 mm
- Horizontal fins at the rear and vertical fins at the front, individually adjustable, 20 mm pitch
- Accessories: SGS damper (galvanised steel) or AGB damper (rough aluminium) counter-rotational motion, F4 or F6 galvanised steel mounting frame, galvanised steel connection plenum with MT rear connection or ME side connection

Main characteristics

- anodised aluminium, natural satin colour,
- individually dirigible horizontal rear and vertical front vanes, 20 mm pitch.

Accessories

Désignations	References
Adapter F4 300X100	11053763
PLEN. ME F3 300X100/D125 PC	11053664
MTF3 300X100/D125 PLENUM PA	11053634
RECT DAMPER SGS 300X100	11053243
PLEN MEI PC (5)F3 300X100D160	11053392
ME PLENUM F3 300X100 D160 PC AIRCON CFG	11053382
ME Plenum F3 300X100/D125 PC cfg	11053602
ME Plenum F3 insulated 5f 300x100 D160 PC cfg	11053097
MT Plenum F3 300X100/D125 PA cfg	11053437

General data

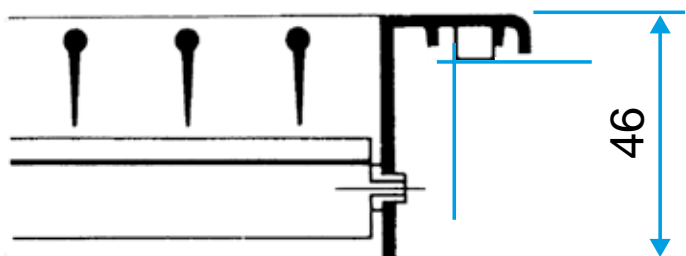
References	Type of finish	Colour
11050579	Aluminium	Aluminium with mosquito mesh

Wall grille

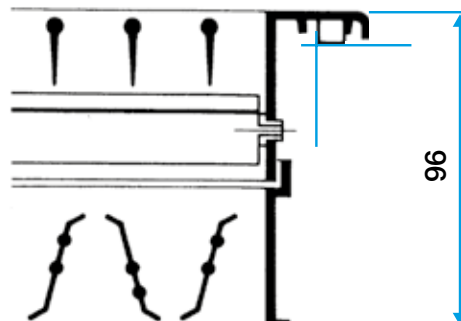
11050579
AC 102D F3 300x100

Dimensional data

References	H (mm)	L (mm)
11050579	100	300



Grille AC 102 D seule



Grille AC 102 D avec registre AGB ou SGS monté

Airflow data

References	Comfort airflow for $L_w < NR 25$ (m ³ /h)
11050579	300