

Ceiling grille, Ceiling grille

11002037  
AC 174

The AC 174 aluminium filtered hinged ceiling grille enables air extraction on all ventilation and air-conditioning systems.



Grille AC 174

## PRODUCT BENEFITS

- built-in filter,
- easy hinged opening.

### Principles of operation

The AC 174 grille with a square 15x15 mm mesh offers good air extraction. Furthermore, it contains an easily-accessible filter as the grille opens on hinges.

### Product description

The AC 174 ceiling grille is made of anodised aluminium with a square 15x15 mm mesh. It offers a hinged front face and a built-in filter.

### Fields of application

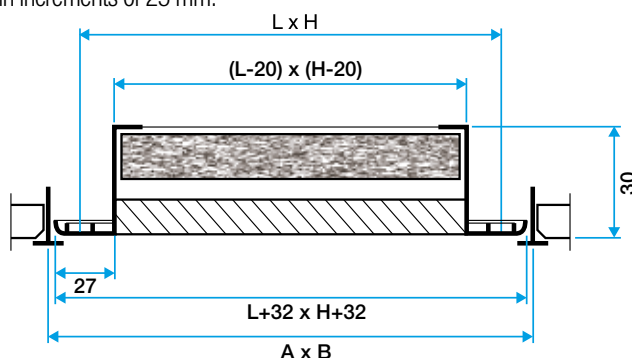
New, Refurbishment, Non-residential buildings

### Installation

- for installation in ceiling,
- replaces suspended ceiling tile depending on models.

### Main characteristics

- square mesh 15 x 15 mm with 45° incline,
- finished with white epoxy paint RAL 9003 30%,
- easy opening with stainless steel hinges,
- includes 15 mm G3 filter with M1 fire rating.
- dimensions from 200 x 200 to 600 x 600 in increments of 25 mm.



Grille AC 174 W avec filtre