

**Ceiling diffuser****11002763****AF 704 4-way diffuser - aluminium**

The AF 704 is a square ceiling diffuser for ceiling tiles with 4 air diffusion directions, for use in commercial buildings.



AF 704 diffuser

**PRODUCT BENEFITS**

- filter for extraction,
- filter accessed by simply and quickly removing the central core,
- for 600 x 600 suspended ceiling tiles.

**Principles of operation**

The AF 704 diffuser is installed in a ceiling in place of a standard 600 x 600 mm or 675 x 675 mm ceiling tile. This aluminium square diffuser offers 4 air diffusion directions.

**Product description**

The AF 704 is a steel square ceiling diffuser with 4 diffusion directions for ventilation or air-conditioning systems in commercial buildings. This diffuser is made of aluminium with epoxy coating RAL 9010 white 30% gloss. It is installed flush with the ceiling in place of a standard 600 x 600 mm or 675 x 675 mm ceiling tile. It is suitable for "T-bar" or "Fine Line" suspended ceiling frames .

**Fields of application**

Non-residential buildings

**Installation**

The AF 704 diffuser is installed in place of a standard 600 x 600 mm or 675 x 675 mm ceiling tile.

**Reference arguments**

- AF 704 fixed square 4-way diffuser for air supply or return,
- 300 x 300 mm,
- removable core,
- aluminium with choice of epoxy coating RAL 9003,
- 32 mm wide frame,
- concealed screw attachment to neck,
- accessories: galvanised steel plenums with side connection (RE) or top connection (RT), damper (B700) and G3 pleated filter with M1 fire rating (ISO coarse 60%).

**Main characteristics**

- square ceiling diffuser,
- horizontal multi-direction air supply,
- 4 diffusion directions,
- outer frame and core made of profiled aluminium,
- removable exchangeable core,
- frame width 32 mm,
- epoxy coating RAL 9010 white 30% gloss,
- installation flush on ceiling in place of a standard 600 x 600 or 675 x 675 mm ceiling tile,
- suited to suspended ceiling systems e.g. T-bar, Fine Line.

Ceiling diffuser

## 11002763

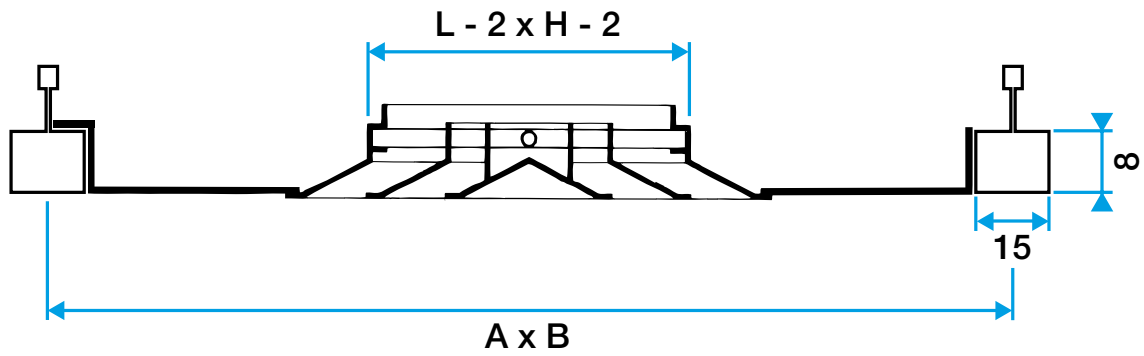
### AF 704 4-way diffuser - aluminium

Supplementary characteristics

- accessories:
  - B 700: counter-rotary damper, adjustable from front of diffuser,
  - W4 G3 pleated filter M1 fire certification for use on extraction,
  - galvanised steel connection plenum with RT or RE branch connection.

Accessories

Désignations	References
Bare W4 G3 filter (replacement)	11053370



Diffuseur AF 704 TP