

**Outdoor grille****11002483**  
**AG 645**

The AG 645 outdoor wall grille is used for fresh air intake or contaminated air outlet, with no risk of rain ingress due to the form of its vanes.



AG 645

**PRODUCT BENEFITS**

- full closure due to mobile vanes,
- manual or motorised closure.

**Principles of operation**

The AG 645 grille enables indoor air to exit the building and outdoor air to enter to renew the indoor air. The form of its vanes prevents rain from entering and their mobility enables manual closure or remote motorised closure.

**Product description**

The AG 645 is a rectangular outdoor wall grille with horizontal vanes. The vanes protect against rain water and it features a 12 x 12 Ø 1.2 mm square mesh bird screen. The vanes are mobile to enable closure using a manual lever or a motor.

**Fields of application**

New, Refurbishment, Non-residential buildings

**Installation**

- for installation on outside wall,
- direct attachment in masonry or on dedicated adapter,
- the adapter and grille are supplied pre-drilled on the front.

**Reference arguments**

• AG 645 aluminium wall-mounted outdoor grille. • For fresh air inlet or exhaust air outlet. • Extruded aluminium frame and horizontal rain guard vanes. • 100 mm pitch between vanes. • Internal part containing galvanised steel bird screen 12x12xØ1.2 mm. • Attached to wall by screw in pre-drilled outer frame. • Rough aluminium or epoxy paint finish. • Options: manual closure control, 24V or 230V on/off motors, galvanised steel bird screen 1x1xØ0.4 mm, stainless steel 5x5xØ0.7 mm and F11 mounting adapter. • Dimensions: 200 x 200 to 1600 x 2000 mm with increments of 25 mm in L and 100 mm in H.

**Main characteristics**

- extruded aluminium frame and vanes,
- vane pitch 100 mm,
- vanes fitted with cadmium-plated shafts mounted on nylon bearings, coupled by external chains to enable full closure of the grille,
- galvanised steel bird screen (12 x 12 x Ø 1.2 mm),
- Options:
  - attachment method,
  - close command by manual lever,
  - motorised close command (24 V on/off or 230 V) where H • = 500 mm,
  - galvanised steel anti-insect mesh (1 x 1 x Ø 0.4 mm),
  - stainless steel bird screen (5 x 5 x Ø 0.7 mm).

**Options**

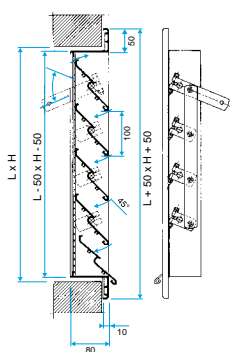
9010
F1
FINIT2
I
II
M

Outdoor grille

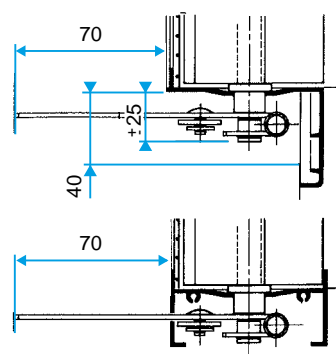
11002483  
AG 645

Options

Q
RAL1
RAL2
RAL4
T
AF230
AF24
LF230
LF24
SF24A-SR
ZAS014



AG 645 grille



AG 645 manual control lever