

## Fresh air intake

11044379  
AIRONE ADD. FCU+DCU KIT

The AIRONE air inlet provides fresh air in case of fire, with optimised aesthetics and thermal insulation.



Closed, in standby position

### PRODUCT BENEFITS

- sober and elegant design,
- thermal insulation as standard,
- paint options available.

### Principles of operation

AIRONE is a remote-controlled outward-opening vent for air inlet applications. It opens when instructed by the FACP. The start / end limit position switches detect the position of the vent and its correct operation.

### Product description

AIRONE is a remote-controlled outward-opening vent for air inlet in smoke and heat exhaust applications. It is available as standard in dimensions from 475 x 475 mm to 1350 x 1350 mm in increments of 125 mm.

### Fields of application

New, Refurbishment, Non-residential buildings

### Installation

- on building façade, with angle between 0 and 30° from the vertical,
- in masonry, mounted on reveals as per diagram and in respect of

Applicable DTU regulations:

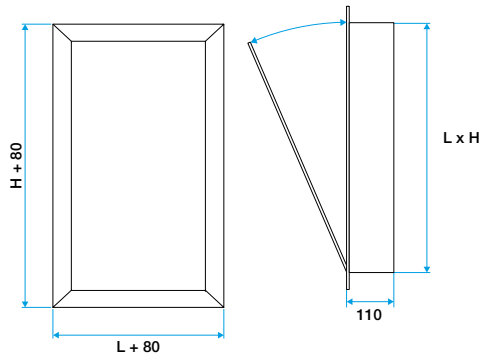
- ensure the support is even,
- ensure the dormant is square,
- for installation on curtain wall (glazed façade), attachment using the clamp system specific to the curtain wall. Contact us.
- number of vertical attachment points:
  - H ≤ 650 mm: 1 central attachment,
  - H • 650 mm: 2 attachments at 250 mm from top and bottom.

Fresh air intake

## 11044379 AIRONE ADD. FCU+DCU KIT

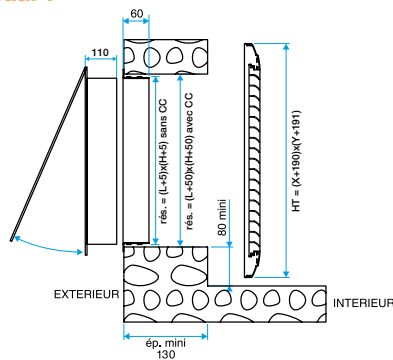
### Main characteristics

- "rising outwards" opening achieved with intrinsic energy (2 pneumatic springs) following an electrical remote control via 24 V or 48 V,
- current make or break trip device, 24 V or 48 V DC,
- manual reset, vent equipped with handle,
- aluminium profile frame for seamless integration in all types of joinery, especially surface-mounted on wall,
- insulated aluminium plate panel (metal/polystyrene/metal sandwich),
- optional RAL paint finish (standard: anodised aluminium),
- Start and end limit position switches for signalling: available as optional extras, can be doubled up with additional switches).



Encombrement AIRONE (mm)

### Installation visual 1



Principe de mise en oeuvre en maçonnerie