

Fresh air intake

11044370
AIRONE vent

The AIRONE air inlet provides fresh air in case of fire, with optimised aesthetics and thermal insulation.



Closed, in standby position



Open, in safety position

PRODUCT BENEFITS

- sober and elegant design,
- thermal insulation as standard,
- paint options available.

Principles of operation

AIRONE is a remote-controlled outward-opening vent for air inlet applications. It opens when instructed by the FACP. The start / end limit position switches detect the position of the vent and its correct operation.

Product description

AIRONE is a remote-controlled outward-opening vent for air inlet in smoke and heat exhaust applications. It is available as standard in dimensions from 475 x 475 mm to 1350 x 1350 mm in increments of 125 mm.

Fields of application

New, Refurbishment, Non-residential buildings

Installation

- on building façade, with angle between 0 and 30° from the vertical,
- in masonry, mounted on reveals as per diagram and in respect of

Applicable DTU regulations:

- ensure the support is even,
- ensure the dormant is square,

- for installation on curtain wall (glazed façade), attachment using the clamp system specific to the curtain wall. Contact us.

- number of vertical attachment points:

- H ≤ 650 mm: 1 central attachment,
- H • 650 mm: 2 attachments at 250 mm from top and bottom.

Main characteristics

- “rising outwards” opening achieved with intrinsic energy (2 pneumatic springs) following an electrical remote control via 24 V or 48 V,
- current make or break trip device, 24 V or 48 V DC,
- manual reset, vent equipped with handle,
- aluminium profile frame for seamless integration in all types of joinery, especially surface-mounted on wall,
- insulated aluminium plate panel (metal/polystyrene/metal sandwich),
- optional RAL paint finish (standard: anodised aluminium),
- Start and end limit position switches for signalling: available as optional extras, can be doubled up with additional switches).

Accessories

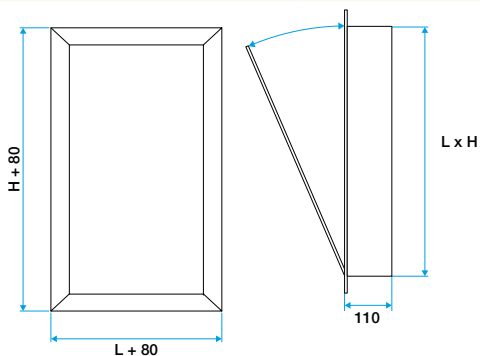
Désignations	References
Adapter OXYTONE Lames 2013	11044345

Fresh air intake

11044370 AIRONE vent

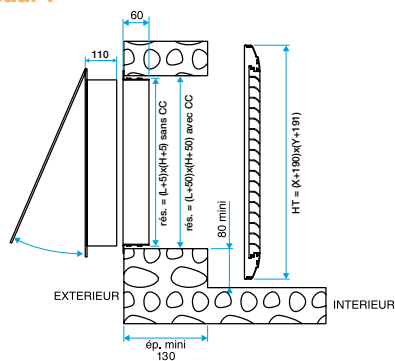
Dimensional data

References	Lmin x Hmin (mm)	Lmax x Hmax (mm)
11044370	475 x 475	1350 x 1225 / 1225 x 1350



Encombrement AIRONE (mm)

Installation visual 1



Principe de mise en œuvre en maçonnerie