

Ceiling diffuser

11002861

ALD611K AxB 600x600

The ALD 610 K is a square multi-slot 4-direction ceiling diffuser for use on air supply or extraction systems in commercial buildings.



ALD610K



ALD610K

PRODUCT BENEFITS

- diffuser suited to standard 600 x 600 and 675 x 675 ceiling tiles on T-bar or Fine Line frames,
- aesthetic,
- accessible filter on extraction.

Principles of operation

The ALD 610 K diffuser is installed in the place of a standard ceiling tile. With up to 4 slots it offers horizontal airflow in up to 4 directions. Available for supply and extraction, the extraction version features a filter holder.

Product description

The ALD 610K is a square multi-slot 4-direction diffuser for use on air supply or extraction systems in commercial buildings. It is available with up to 4 slots. It is installed in place of a 600 x 600 or 675 x 675 mm suspended ceiling tile. The body and deflectors are made of aluminium. Available with or without solid steel central plate, which can be replaced by a cut tile for enhanced aesthetic integration. Available in supply or extraction versions. The extraction version features a filter holder and opening core for easy access to the filter.

Fields of application

New, Refurbishment, Non-residential buildings

Installation

The ALD 610 K diffuser is installed in the place of a standard ceiling tile using the concealed attachment to fix the diffuser to the plenum. The system must be attached to the concrete slab using tabs on the plenum.

Reference arguments

- ALD 611K fixed 4-way diffuser with 1 slot for 600x600 mm ceiling panels.
- T-bar frame system.
- Air supply or return with opening core and G2 or G3 filter with M1 fire rating (ISO coarse 60%).
- Aluminium body and vanes, steel central plate.
- The central plate may be replaced by a suspended ceiling panel cut out to the same format as the plate for a more seamless finish.
- Choice of RAL epoxy paint.
- Accessories: plenum with side or top connection.

Main characteristics

- horizontal fixed 4-direction diffuser with up to 4 slots,
- air supply and extraction,
- body and deflectors made of aluminium profiles with epoxy coating RAL 9010 white,
- central steel plate, epoxy coating RAL 9010 white, may be replaced by a cut suspended ceiling tile,
- extraction model features filter holder with central opening core,
- galvanised steel connection plenum with side branch connection (RE type) or top connection (RT), standard or insulated,
- diffuser fixed to concrete slab using fixed clips,
- assembly attached to concrete slab using tabs on plenum.

Ceiling diffuser

11002861

ALD611K AxB 600x600

Supplementary characteristics

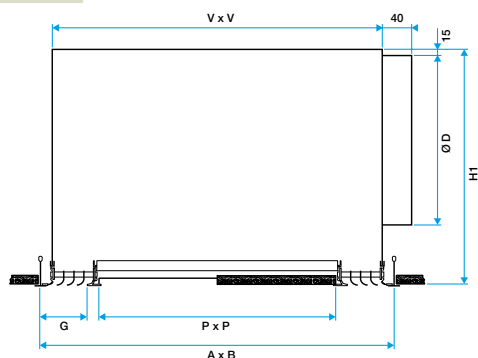
- accessories:
 - G2 or G3 flat filter for extraction.
- options:
 - adjustment damper fitted on plenum with access across diffuser,
 - plenum insulated on 2 or 5 sides,
 - additional branch connector on plenum.

Accessories

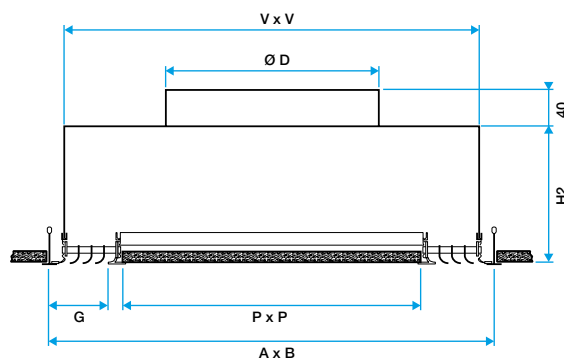
Désignations	References
PLENUM RE610K 600x600 D200 PC	11003321
PLENUM RE610K 600x600 D250 PC	11003324
RT610K 600x600 D200 PLENUM PA	11003331
RT610K 600x600 D250 PLENUM PA	11003334

Options

base
9010
FL
RAL1
RAL2
RAL4
NOYG2
NOYG3



Diffuseur ALD 610K avec plénum piquage coté



Diffuseur ALD 610K avec plénum piquage dessus