

## Ceiling diffuser

# 11002888

## ALD613K AxB 675x675 COMBINED

The ALD 610 K Combined is a square multi-slot 4-direction diffuser for use on combined air supply or extraction systems in commercial buildings.



ALD613K AxB 675x675 COMBINED

### PRODUCT BENEFITS

- combined air supply and extraction diffuser,
- suited to centralised air conditioning system and ducted fans,
- suited to standard 600 x 600 and 675 x 675 mm ceiling tiles on T-bar or Fine Line framework.

### Principles of operation

The ALD 610 K Combined diffuser is installed on the ceiling. The air supply and extract functions are combined in a single product, with a built-in double plenum. With up to 4 slots it offers horizontal airflow in up to 4 directions.

### Product description

The ALD 610 K Combined is a square multi-slot 4-direction diffuser for combined air supply (perimeter) or extraction (centre) on ventilation and air-conditioning systems in commercial buildings. It is available with up to 4 slots. It replaces a 600 x 600 or 675 x 675 mm suspended ceiling tile. The body and deflectors are made of aluminium. The centre of the diffuser is a slotted steel plate. The central core may be fitted with a filter. If this is the case, the core opens for easy access to the filter. The diffuser is fitted with a double steel plenum with 2 opposite branch connectors. The standard finish is aluminium with epoxy coating, RAL 9010 white. All other RAL colours are available on request.

### Fields of application

Non-residential buildings

### Installation

The ALD 610 K Combined diffuser is installed in a ceiling using its built-in connection plenum. The whole system must be attached to the concrete slab using tabs on the plenum.

### Reference arguments

• ALD 613K Combined fixed 4-way diffuser with 3 slots for 675x675 mm ceiling panels. • T-bar frame system. • Combined air supply and return with slotted plate core - Options: opening core and G2 or G3 filter with M1 fire rating. • Aluminium body and vanes, steel central plate. • Choice of RAL epoxy paint. • Accessories: double plenum with two opposite connections.

### Main characteristics

- diffuser featuring double plenum for simultaneous air supply and extraction,
- horizontal fixed diffusion in 4 directions with up to 4 slots,
- ceiling diffuser designed to replace a standard 600x 600 or 675 x 675 mm ceiling tile with T-bar framework,
- body and air supply deflectors made of aluminium profiles,
- central plate core (for extraction) made of slotted steel plate,
- central plate may be fitted with a filter, in which case the central core opens for easy access to the filter,
- galvanised steel double plenum with opposite branch connectors,
- epoxy coating RAL 9010 white,
- concealed attachment of diffuser to plenum using fixed clips,
- diffuser and plenum are delivered assembled,
- attachment to concrete slab using tabs on plenum.

## Ceiling diffuser

# 11002888

## ALD613K AxB 675x675 COMBINED

### Supplementary characteristics

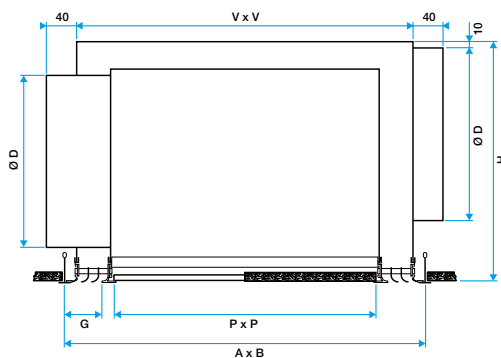
- accessories:
  - G2 or G3 flat filter for extraction.
- options:
  - double plenum insulated on 5 sides,
  - air supply and extraction branch connectors at 90° angle.

### Accessories

Désignations	References
R-RE611K 675x675 D200 PLENUM COMBINED	11003346
R-RE612K 675x675 D250 PLENUM COMBINED	11003347
R-RE613K 675x675 D250 PLENUM COMBINED	11003348
R-RE614K 675x675 D250 PLENUM COMBINED	11003349

### Options

base
9010
FL
RAL1
RAL2
RAL4
NOY62



Diffuseur Combined ALD 610 K avec son plénum