

Special diffuser**11051266**
AR 190 THERMO D230 ALU

The AR 190 Thermo is a long-throw diffuser for air diffusion in commercial buildings with high ceilings.



AR 190 THERMO D230 ALU

PRODUCT BENEFITS

- ideal to prevent stratification of high-ceiling spaces,
- dirigible air jet,
- heat-sensitive spring system for winter/summer comfort.

Principles of operation

The AR 190 Thermo is installed on the wall, ceiling or floor around the perimeter. It delivers long-throw diffusion to displace air towards the occupied areas. It is ideal to prevent stratification in heated air and for environments with high ceilings.

Product description

The AR 190 Thermo is a long-throw diffuser for air diffusion in ventilation or air conditioning systems in commercial buildings with high ceilings. It is ideal for high-ceiling spaces such as airports and exhibition centres. It prevents stratification in heating applications. It offers dirigible diffusion with an angle of incline up to 30°. The angle of diffusion changes automatically and rapidly according to the temperature of the supply air, for optimal operation in all seasons. It is installed on the wall, ceiling or floor around the perimeter. It features an epoxy coating RAL 9010 white 85% finish.

Fields of application

Non-residential buildings

Installation

The AR 190 Thermo is installed on the wall, ceiling or floor around the perimeter using concealed screw attachments on a rectangular duct or plenum, or directly to a circular flexible duct.

Reference arguments

- Aluminium with epoxy coating- RAL 9010 white, or anodised aluminium with natural finish.
- Heat-sensitive spring made of nickel-titanium alloy to automatically toggle the diffusion angle according to the temperature of the blown air: - «winter» position (heating) for de-stratification of hot air. - «summer» position (cooling) for perfect management of air speeds in the occupied areas.
- «Winter» and «summer» diffusion angles adjustable on installation using screws (max. +/- 30°)
- Fixed in place using concealed screws on rectangular duct (or plenum), or direct connection to circular supply air duct. Note: no damper available for this range.

Main characteristics

- air supply for high ceiling spaces such as airports and exhibition centres,
- long-throw diffusion to displace air to occupied areas,
- ideal to prevent stratification in heated air,
- installed on wall, ceiling or floor around perimeter,
- spun aluminium diffuser,
- aluminium with epoxy coating, RAL 9010 white matt 85% or anodised aluminium natural white,
- nickel-titanium alloy heat-sensitive spring for automatic adjustment of diffusion angle according to temperature of supply air,
- “winter” position (heating) to prevent stratification of heated air,
- “summer” position (cooling) to control airspeed in the occupied areas,
- “winter” and “summer” angles can be adjusted by screw at installation (max angle +/- 30°),
- concealed screw attachment to rectangular duct (or plenum) or direct connection to the circular air supply duct.

Special diffuser

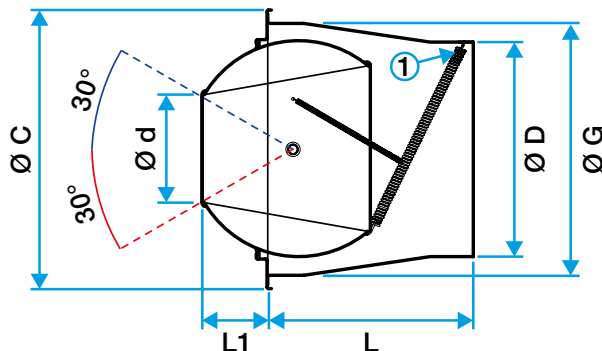
11051266 AR 190 THERMO D230 ALU

Supplementary characteristics

- accessories:
 - screw covers,
 - connection sleeve for circular flexible duct,
 - connection sleeve for rectangular duct,
 - connection sleeve for circular rigid duct.

Dimensional data

References	L (mm)	L1 (mm)	Ø (mm)	Ø C (mm)	Ø D (mm)	Ø G (mm)
11051266	290	167	230	380	400	462



Diffuseur AR 190 Thermo

Airflow data

References	Comfort airflow < 35 dB(A) (m³/h)
11051266	1700