

**Special diffuser****11003020**  
**AR 190C TYPE230 D400 RAL9010-85%**

The AR 190 is a long-throw diffuser for air diffusion in commercial buildings with high ceilings.



AR 190C TYPE230 D400 RAL9010-85%

**PRODUCT BENEFITS**

- ideal to prevent stratification in high-ceiling environments,
- dirigible air jet,
- concealed attachment.

**Principles of operation**

The AR 190 is installed on the wall, ceiling or floor around the perimeter. It delivers long-throw diffusion to displace air towards the occupied areas. It is ideal to prevent stratification in heated air and for environments with high ceilings.

**Product description**

The AR 190 is a long-throw diffuser for air diffusion in ventilation or air conditioning systems in non-residential buildings with high ceilings. It is ideal for high-ceiling spaces such as airports and exhibition centres. It prevents stratification in heated air. It offers dirigible diffusion with an angle of incline up to 30°. It is installed on the wall, ceiling or floor around the perimeter. It features an aluminium finish with epoxy coating RAL9003 white 85%.

**Fields of application**

Non-residential buildings

**Installation**

The AR 190 is installed on the wall, ceiling or floor around the perimeter using visible screw attachments on a rectangular duct or a plenum. Screw covers are supplied for concealed attachment. The AR 190 C model is supplied with a sleeve for connection to a circular duct.

**Reference arguments**

- Aluminium with epoxy paint finish, RAL 9010 White, 30% matt.
- AR 190: screw attachment on rectangular duct or plenum.
- AR 190 C: supplied with circular sleeve for direct connection to the duct.
- Screw cover for concealed attachment (supplied as standard).

**Main characteristics**

- air supply for high-ceiling buildings such as airports and exhibition centres,
- long-throw diffusion to provide airflow to occupied areas,
- ideal to prevent stratification in heated air,
- adjustable diffusion, can be inclined to 30°,
- wall or ceiling mounted, or floor around perimeter.
- spun aluminium diffuser,
- steel with epoxy paint finish, RAL 9003 White, 85% matt.
- attachment:
  - AR 190: screw attachment on rectangular duct or plenum,
  - AR 190 C: supplied with circular sleeve for direct connection to the duct.
- Screw cover for concealed attachment (supplied as standard).

**Supplementary characteristics**

- accessories:
  - AR 190 C: supplied with circular connection sleeve.

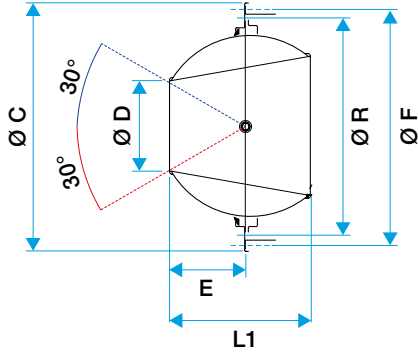
Special diffuser

## 11003020

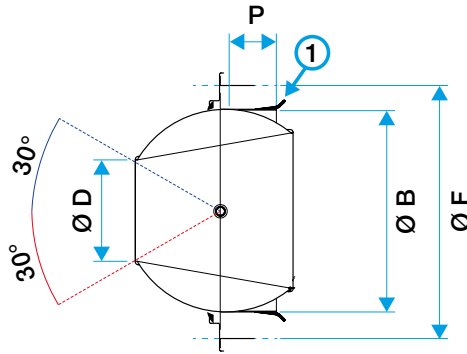
### AR 190C TYPE230 D400 RAL9010-85%

#### Dimensional data

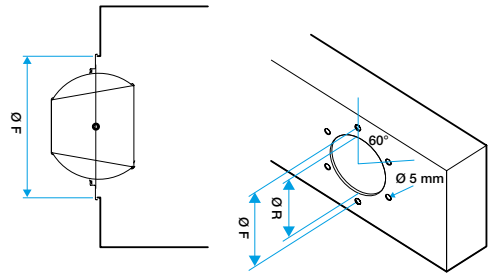
References	E (mm)	L1 (mm)	L2 (mm)	P (mm)	Ø (mm)	Ø B (mm)	Ø C (mm)	Ø D (mm)	Ø F (mm)	Ø R (mm)
11003020	130	265	350	50	400	398	489	230	466	452



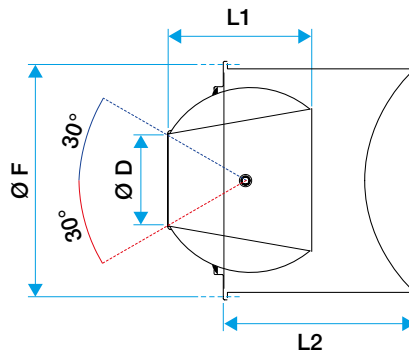
Diffuseur AR 190



Diffuseur AR 190 C



Diffuseur AR 190 - Montage sur gaine rectangulaire



Diffuseur AR 190 - Montage sur gaine circulaire