

**Swirl jet diffuser****11051033****AR 883 THERMO D400 RAL9003-30%**

The AR 883 Thermo is a high-induction swirl jet diffuser for air diffusion in commercial buildings with high ceilings.



AR 883 THERMO D400 RAL9010-85%

**PRODUCT BENEFITS**

- ideal for large systems with high mixing rates,
- automatic adjustment of diffuser size according to temperature needs, for excellent comfort management in all seasons,
- no electrical connections required.

**Principles of operation**

The AR 883 Thermo diffuser is installed in the ceiling using an LRE plenum. It offers an adjustable swirl jet diffusion for air conditioning systems handling large temperature differences and high-ceiling rooms.

**Product description**

The AR 883 Thermo is a high-induction swirl jet diffuser for air diffusion in ventilation or air conditioning systems in commercial buildings with high ceilings. It is ideal for systems handling large temperature differences, due to its high mixing capacity. The movement of the adjustable vanes is automatic and rapid, according to the temperature of the supply air, for optimal operation in all seasons. It features an epoxy coating RAL 9010 white 85% finish.

**Fields of application**

Non-residential buildings

**Installation**

The AR 883 Thermo diffuser is installed in the ceiling using an LRE plenum. The diffuser is attached to the LRE plenum using a concealed screw in the neck.

**Reference arguments**

- AR 883 adjustable swirl jet diffuser for high ceilings.
- D400 protection rating
- Aluminium body and vanes with epoxy coating RAL 9003 white 30% (other colours available).
- A thermal spring adapts the vane angle according to the temperature for automatic transition between summer and winter modes (summer and winter vane angles determined by screw on installation).
- Concealed screw attachment.
- Accessory: connection plenum.

**Main characteristics**

- adjustable swirl jet diffuser,
- high mixing capacity for rapid homogenisation of temperatures,
- ideal for air conditioning systems handling large temperature differences,
- installed on ceiling,
- aluminium body and vanes,
- concealed screw attachment to plenum on diffuser neck,
- nickel-titanium alloy thermally-sensitive spring to automatically switch van angle according to the temperature of the supply air,
- "winter" position (heating) to de-stratify the hot air,
- "summer" position (cooling) for perfect control of air speeds in occupied areas,
- "winter» and "summer" angles can be adjusted by screw at time of installation,
- available in diameters 250 to 630 mm,
- aluminium with epoxy coating RAL 9010 white.

**Supplementary characteristics**

- accessories:
  - galvanised steel LRE connection plenum with side branch connection.

**Accessories**

Désignations	References
PLENUM LRE 842/883 FO D400 PC	11003266

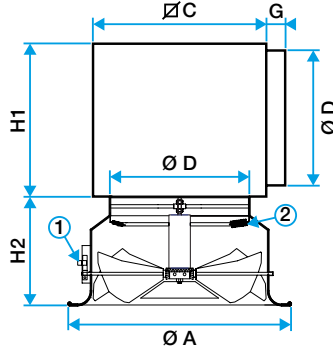
Swirl jet diffuser

## 11051033

AR 883 THERMO D400 RAL9003-30%

### Dimensional data

References	C (mm)	G (mm)	H1 (mm)	H2 (mm)	Ø A (mm)	Ø D (mm)
11051033	460	60	450	280	615	400



AR 883 Thermo diffuser with LRE plenum

### Airflow data

References	Comfort airflow for Lw 40 dB(A) (m³/h)
11051033	1600