

## 11051735 ATO75 600X400 DUCT DAMPER

The ATO 75 duct-mounted backdraft damper is used to create positive or negative pressure inside a room.



ATO75 600X400 DUCT DAMPER

### PRODUCT BENEFITS

- regulates pressure inside a room.

### Principles of operation

The vanes of the ATO 75 duct-mounted backdraft damper open and close automatically according to the pressure, to prevent undesirable air currents (backdraft function).

### Product description

The AVO 75 aluminium backdraft damper is used to create positive or negative pressure inside a room depending on its direction of installation. It is installed in a duct.

### Fields of application

New, Refurbishment, Non-residential buildings

### Installation

- for installation in duct,
- visible screw attachment in frame.

### Reference arguments

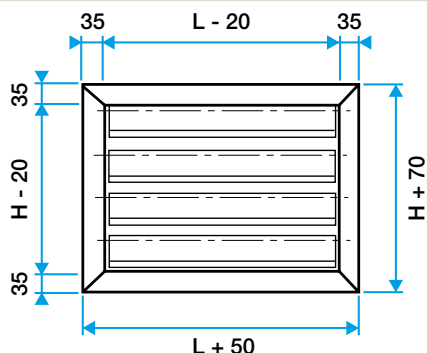
- Extruded aluminium frame, aluminium plate vanes.
- Frame: anodised aluminium, natural satin finish.
- Vanes: rough aluminium finish.
- Visible screw attachment in frame.

### Main characteristics

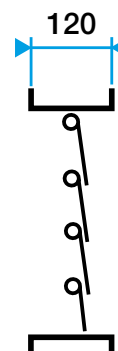
- extruded aluminium frame and vanes,
- finishes:
- vanes: rough aluminium,
- frame: standard anodised aluminium finish with satin aspect.

### Dimensional data

References	L x H (mm)
11051735	600x400



ATO 75 damper



ATO 75 overpressure or negative pressure damper for duct

# 11051735

## AT075 600X400 DUCT DAMPER

### Airflow data

References	Comfort airflows for $V_k < 3$ m/s and $DP < 25$ Pa (m <sup>3</sup> /h)
11051735	2300