

Sleeve, Sleeve

11011403
Acoustic MHF

MHF is the acoustic window top sleeve for apartments.



Acoustic MHF

PRODUCT BENEFITS

- discretion: concealed on façade.
- very good acoustic performance: from 46 to 49 dB,
- good protection against rain penetration in areas exposed to strong winds.

Principles of operation

MHF is the acoustic window top sleeve for apartments. MHF perfectly meets the challenges of façade acoustic insulation. The sleeve is placed in the insulation above the window and enables airflow into the building.

Product description

MHF is placed in the insulation above the window and enables airflow into the building. The MHF acoustic sleeve is made of galvanised sheet and is coated with melamine foam sound proofing.

Fields of application

Multi-occupancy residential housing, New, Refurbishment, Non-residential buildings

Installation

- For interior insulation: the acoustic MHF sleeve is fixed above the window and within the lining. It enables the installation of a standard cowl or a flange on the outside wall and an air inlet associated to an MEA 45, MEA 85 or TM on the inside.
- For external insulation: the acoustic MHF sleeve is fixed to the outside wall. It enables the installation of a standard cowl or a flange on the outside wall and an MEA 160 mm or 200 mm wall penetration.

Reference arguments

- Made of galvanised metal sheet, the acoustic MHF sleeve features a melamine foam sound-proofing treatment.

Main characteristics

- MHF Acoustic is a sleeve that improves the acoustic performance of air inlets,
- MHF is compatible with self-balanced, humidity-controlled or fixed air inlets indoors:
- Outdoors, the MHF sleeve is compatible with a standard cover or flange.

Contents of kits

sleeve;1

Accessories

| Désignations | References |
|----------------------------------|------------|
| Connection sleeve MEA 45 mm | 11011378 |
| Connection sleeve MEA 85 mm | 11011401 |
| Connection sleeve MEA 160 mm | 11011371 |
| Connection sleeve MEA 200 mm | 11011373 |
| Connection sleeve TM - White | 11011501 |
| TM extension 20 to 30 mm - White | 11011893 |
| Long adapter flange - White | 11011413 |
| Long adapter flange - Oak | 11011414 |
| Long adapter flange - Brown | 11011415 |
| Long adapter flange - Black | 11011416 |
| Long adapter flange - Aluminium | 11011417 |
| Long adapter flange - Light Oak | 11011418 |
| Long adapter flange - Ivory | 11011419 |

Sleeve, Sleeve

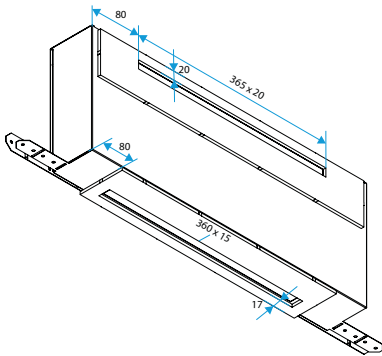
11011403 Acoustic MHF

General data

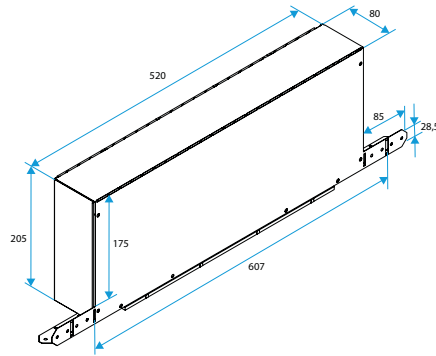
| References | Colour |
|------------|------------------|
| 11011403 | Galvanised steel |

Dimensional data

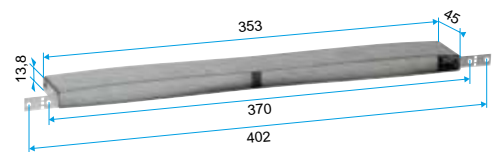
| References | H (mm) | L (mm) | P (mm) |
|------------|--------|--------|--------|
| 11011403 | 205 | 520 | 80 |



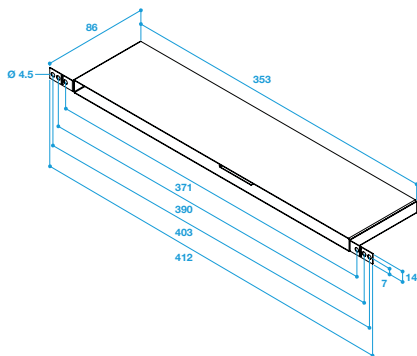
Encombrement manchon MHF acoustique



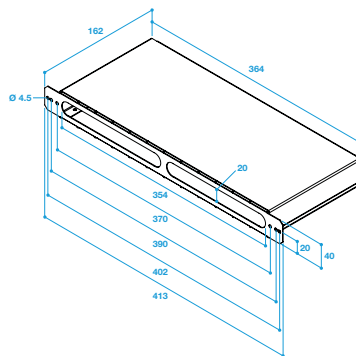
Encombrement manchon MHF acoustique



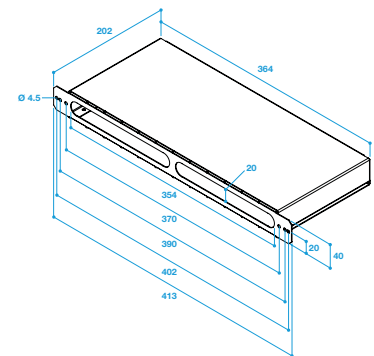
Encombrement MEA 45



Encombrement MEA 85

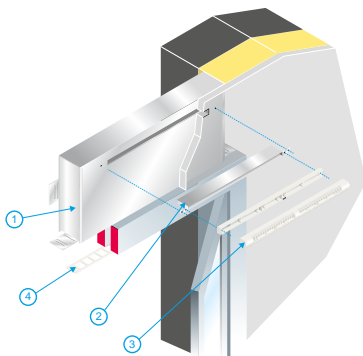


Encombrement MEA 160



Encombrement MEA 200

Installation visual 1



Mise en œuvre manchon MHF acoustique