

11122697

Adapter ring D150/D125

The round outlet is used for air outlet or intake on a CMEV or gas CMEV system in a single-family dwelling.



Round Outlet for socket tile

PRODUCT BENEFITS

- very low pressure losses,
- compatible with Gas CMEV,
- available with lead plate or for socket tile.

Product description

The round outlet is used for air outlet or intake on a CMEV or gas CMEV system in a single-family dwelling. It is compatible with all roof types (lead plate) or for socket tile Ø 150 mm interior diameter.

Fields of application

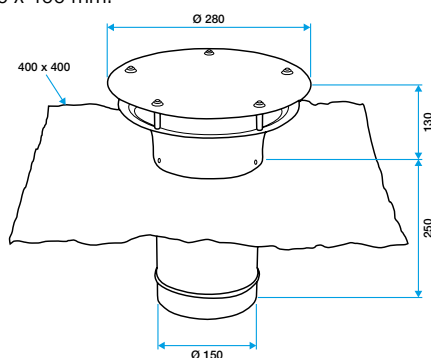
Individual residential housing, New, Refurbishment

Installation

- for all roof types (lead plate) or for socket tile Ø 150 mm interior diameter.

Main characteristics

- aluminium deflector, brown,
- aluminium sleeve, diameter 150 mm,
- 125 mm diameter connection with adapter seal,
- lead plate 400 x 400 mm.



Encombrement sortie ronde + plaque de plomb



Encombrement sortie ronde pour tuile à douille