

11011581

AirFILTER® 30 m³/h - 34 dB - White

AirFILTER® is a filtered air inlet containing a pollen filter to capture exterior pollutants.



Entrée d'air filtrante Air Filter®

Pollen filter

PRODUCT BENEFITS

- optimal air quality due to pollen filter,
- installed on all types of mortise,
- easy to install,
- airflow oriented to ceiling.

Principles of operation

AirFILTER® is a fixed filtered air inlet for installation in woodwork. AirFILTER® has a pollen filter which captures exterior pollutants to ensure optimal air quality.

Product description

AirFILTER® is a filtered air inlet with a fixed airflow of 30 m³/h, for installation in joinery on a refurbishment project. AirFILTER® is fitted with a pollen filter which captures pollutants in incoming air for improved air quality.

Using a universal mounting base, it can be installed on any type of mortise with great ease, with the air jet oriented towards the ceiling.

Fields of application

Multi-occupancy residential housing, Individual residential housing, Refurbishment

Installation

- air inlets must only be mounted in the main rooms of the dwelling: bedrooms, living room, lounge, etc.
- they must be installed inside dwellings, in the upper part of windows or on the vertical panel of a roller shutter box,
- the incoming airflow must be oriented towards the ceiling,
- can be installed on any type of mortise,
 - double slot 2 x (172 x 12) mm or
 - single slot (250 x 15) mm or (250 x 12) mm

Reference arguments

Application:

- AirFILTER® is a filtered fixed air inlet fitted with a pollen filter which captures exterior pollutants to ensure optimum air quality.
- Refurbishment market.
- Double slot 2 x (172 x 12 mm) or single slot (250 x 15 mm) or (250 x 12) mm.

Description:

- Optimal air quality due to pollen filter.
- can be installed on any type of mortise.
- simple to install.
- Airjet oriented towards the ceiling.

Main characteristics

- filtered air inlet for joinery,
- works with EasyHOME® PureAIR Connect,
- replace filters at least once a year (filter clogging indicated by the EasyHOME® PureAIR Connect app).

Supplementary characteristics

- Regular inspection and maintenance of filters is recommended to ensure they do not impair ventilation system operation,
- AirFILTER® is not recommended for installation on external walls requiring acoustic classification or installation in accordance with DTU 68.1 and 68.3 regulations,
- Do not install AirFILTER® if there is a leaking combustion appliance in the house (log burner, fireplace, boiler, etc.).

11011581 AirFILTER® 30 m³/h - 34 dB - White

Contents of kits

Air inlet + filter

Consumables

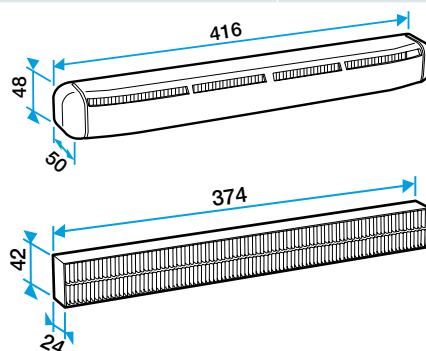
Désignations	References
Pollen filter AirFILTER®	11011584

General data

References	Type of filtration	Colour
11011581	Pollen filter	Lagoon blue

Dimensional data

References	H (mm)	w (mm)	L (mm)	Slot (mm)
11011581	48	50	416	2 x (172 x 12);(250 x 15);(250 x 12)



Entrée d'air filtrante AirFilter®

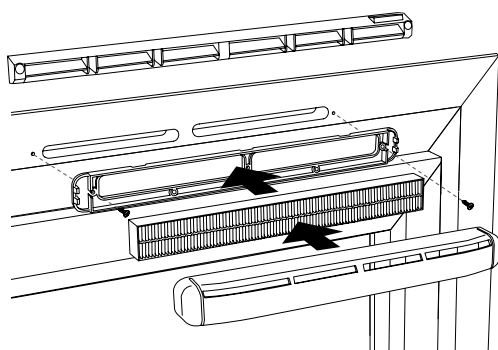
Airflow data

References	Airflow (m ³ /h)
11011581	30

Acoustic data

References	Dnew (dB)	Dnew (Ctr) with standard cover (dB)
11011581	34	34

Installation visual 1



Installation of AirFILTER® filtered air inlet