

11011585

**AirFILTER® kit (AirFILTER® air inlet + hood) 30 m<sup>3</sup>/h - 34 dB - White**

AirFILTER® is a filtered air inlet containing a pollen filter to capture exterior pollutants.



Kit AirFILTER

Standard cover

**PRODUCT BENEFITS**

- optimal air quality due to pollen filter,
- installed on all types of mortise,
- easy to install,
- airflow oriented to ceiling.

**Principles of operation**

AirFILTER® is a fixed filtered air inlet for installation in woodwork. AirFILTER® has a pollen filter which captures exterior pollutants to ensure optimal air quality.

**Product description**

AirFILTER® is a filtered air inlet with a fixed airflow of 30 m<sup>3</sup>/h, for installation in joinery on a refurbishment project. AirFILTER® is fitted with a pollen filter which captures pollutants in incoming air for improved air quality.

Using a universal mounting base, it can be installed on any type of mortise with great ease, with the air jet oriented towards the ceiling.

**Fields of application**

Multi-occupancy residential housing, Individual residential housing, Refurbishment

**Installation**

- air inlets must only be mounted in the main rooms of the dwelling: bedrooms, living room, lounge, etc.
- they must be installed inside dwellings, in the upper part of windows or on the vertical panel of a roller shutter box,
- the incoming airflow must be oriented towards the ceiling,
- can be installed on any type of mortise,
  - double slot 2 x (172 x 12) mm or
  - single slot (250 x 15) mm or (250 x 12) mm

**Reference arguments**

Application:

- AirFILTER® is a filtered fixed air inlet fitted with a pollen filter which captures exterior pollutants to ensure optimum air quality.
- Refurbishment market

Description:

- Double slot 2 x (172 x 12 mm) or single slot (250 x 15 mm) or (250 x 12) mm.
- Optimal air quality due to pollen filter
- Dimensions: 50x48x416mm
- White colour
- Can be installed on any type of mortise
- Simple to install
- Airjet oriented towards the ceiling

**Main characteristics**

- filtered air inlet for joinery,
- works with EasyHOME® PureAIR Connect,
- replace filters at least once a year (filter clogging indicated by the EasyHOME® PureAIR Connect app).

## 11011585

AirFILTER® kit (AirFILTER® air inlet + hood) 30 m<sup>3</sup>/h - 34 dB - White

### Supplementary characteristics

- Regular inspection and maintenance of filters is recommended to ensure they do not impair ventilation system operation,
- AirFILTER® is not recommended for installation on external walls requiring acoustic classification or installation in accordance with DTU 68.1 and 68.3 regulations,
- Do not install AirFILTER® if there is a leaking combustion appliance in the house (log burner, fireplace, boiler, etc.).

### Contents of kits

1 hood

### Consumables

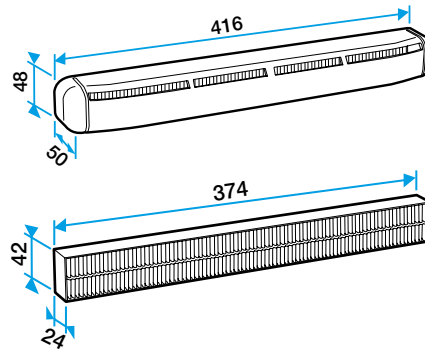
| Désignations             | References |
|--------------------------|------------|
| Pollen filter AirFILTER® | 11011584   |

### General data

| References | Type of filtration | Colour      |
|------------|--------------------|-------------|
| 11011585   | Pollen filter      | Lagoon blue |

### Dimensional data

| References | H (mm) | w (mm) | L (mm) | Slot (mm)                            |
|------------|--------|--------|--------|--------------------------------------|
| 11011585   | 48     | 50     | 416    | 2 x (172 x 12);(250 x 15);(250 x 12) |



Entrée d'air filtrante AirFilter®

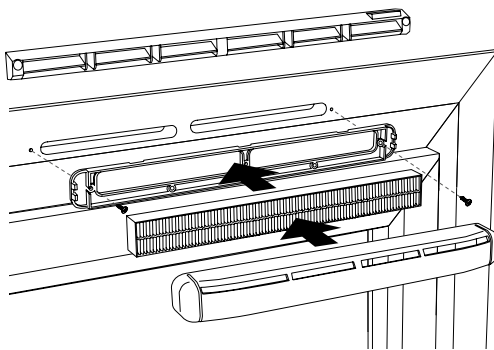
### Airflow data

| References | Airflow (m <sup>3</sup> /h) |
|------------|-----------------------------|
| 11011585   | 30                          |

### Acoustic data

| References | Dnew (dB) | Dnew (Ctr) with standard cover (dB) |
|------------|-----------|-------------------------------------|
| 11011585   | 34        | 34                                  |

### Installation visual 1



Installation of AirFILTER® filtered air inlet