

# 11090658

## Axone Micro III 1-Speed / Smoke exhaust - 3-phase 230V- 16.7A

AXONE Micro III 1SP/DES is a pre-wired, NF-certified safety box used to control smoke and heat exhaust fans.



AXONE 1V/DES 16.7A TRI 230 T1

### PRODUCT BENEFITS

- version with built-in switch and pressure switch: ideal for box installed at less than 2 m from fan,
- easy wiring,
- storage and display of last five faults.

### Principles of operation

When instructed by the FACP, AXONE Micro III 1SP/DES activates the fan in smoke and heat exhaust mode. When instructed by the Fire service shutdown control, it stops the fan and sets it to “default” mode. Then, using the reset control, it changes to “standby” mode.

### Product description

AXONE Micro III 1SP/DES is an NF-certified safety box used to control smoke and heat exhaust fans in non-residential buildings and industrial premises. Connected to the FACP between the main LV distribution board and the fan, it manages any faults with front panel display, stores the last five faults, activates the fan on instruction by the FACP, stops the fan and sets it to standby mode.

AXONE Micro III 1SP/DES provides a single fan speed for smoke and heat exhaust.

### Fields of application

New, Refurbishment, Non-residential buildings

### Installation

- install the safety box near to the main LV distribution board or near the fan,
- attach the box to the floor or the wall, preferably using the recommended flat roof base,
- outdoors, use the flat roof base,
- use the wall attachment brackets if the flat roof base is attached to a wall.

### Reference arguments

- Cover on side hinges.
- Smoke exhaust push button on front panel.
- 2 mini push-buttons on the PCB to perform a full cycle: simulated fire service shutdown order and simulated reset order.
- 2 versions: - base unit, - unit with proximity switch and built-in pressure switch (IPDP) at 4.7 A and 16.7 A 3-Phase 400 V.
- Storage and display of last five faults on front panel.

### Main characteristics

- NF certified,
- IP54 certified by an independent lab,
- smoke and heat exhaust only,
- for 1-speed 3-phase 400V or 230V motor, and single-phase 230V motor,
- box available in 2 models,
- insulation check on line “downstream” of box, factory setting 500 k,
- “upstream” phase check: check phases are present and not inverted,
- stores condition of box in case of power outage: box resumes initial state on return of power,
- clear display of state and possible fault on front panel, without opening the box,
- storage and display of last five faults.

## 11090658

## Axone Micro III 1-Speed / Smoke exhaust - 3-phase 230V- 16.7A

## Supplementary characteristics

- Clear display of state and possible fault on front panel, without opening the box.
- 2 versions:
  - basic box,
  - box with proximity switch and built-in pressure switch (IPDP) at 4.7A and 16.7A 3-phase 400V.
- 2 mini-push buttons inside the box to perform a full cycle:
  - simulates a fire service shutdown order
  - simulates a reset order.

## Accessories

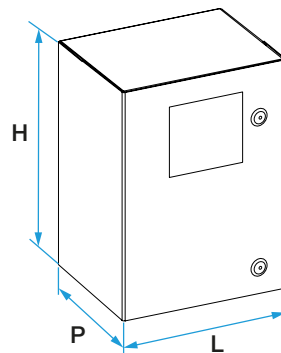
Désignations	References
Proximity switch 1-speed 3-Ph - 7.5 kW + contacts	11057606
Double reset box AXONE / SOS VELONE	11057200
AXONE key reset box - contact not maintained	11057600
Fire service shutdown box AXONE - contact maintained	11057601
Adjustable pressure switch kit 40-300 Pa	11091001
Adjustable pressure switch kit 100-1000 Pa	11091002
Wall attachment brackets AXONE	11021264
Flat roof base AXONE = 190 mm TO	11021267

## General data

References	Size
11090658	T0

## Dimensional data

References	H (mm)	L (mm)	P (mm)
11090658	280	190	130



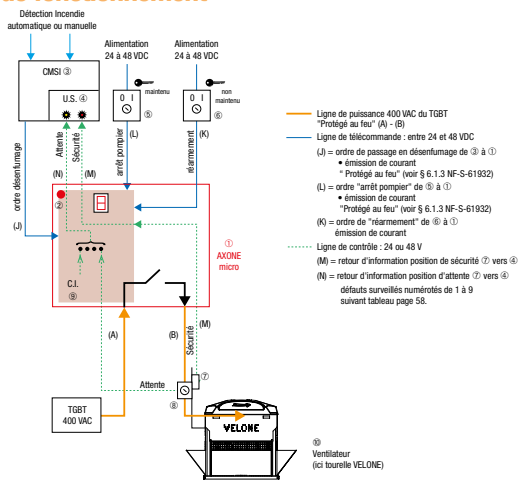
## Electrical datas

References	Rated current (A)
11090658	16,7

# 11090658

## Axone Micro III 1-Speed / Smoke exhaust - 3-phase 230V- 16.7A

### Principe de fonctionnement



Schematic drawing of a system featuring a 1-speed smoke and heat exhaust unit