

11019116

BAP'SI Elec INTER D1-Modulo shaftless - White

The BAP'SI Dual Airflow Electric terminal is ideal for new construction projects - it offers two airflow settings: a base airflow whatever the conditions inside the dwelling and a boost airflow activated using the push button.



BAP'SI dual airflow electric terminal

PRODUCT BENEFITS

- easy to install
- Roll-in seal
- simple to clean

Principles of operation

In a self-balanced CMEV system, the airflow is constant whatever the ambient conditions or presence in rooms.

Product description

BAP'SI Electric is a self-balanced dual airflow extract terminal for new and refurbished multi-occupancy residential buildings. The electric versions offer more applications multi-occupancy residential and non-residential.

Fields of application

Multi-occupancy residential housing, Individual residential housing, New, Refurbishment, Non-residential buildings

Installation

- BAP'SI Electric must be installed in humid rooms,
- the terminal must be installed at the top of a vertical wall or on the ceiling,
- the terminal must be accessible and removable,
- versions with shaft D 125 mm, slots into sleeves, RT Flex, semi-rigid or rigid ducts. The Roll-in seal ensures air tightness and flush fitting against the wall.
- Shaftless versions are clipped onto shafts D 125 mm, D 116 mm or D 100 mm. The terminal is screwed directly onto the wall or clipped onto a retrofit plate.

Main characteristics

- self-balanced exhaust terminal, dual airflow
- innovative design, no grille,
- versions and accessories to meet all installation needs,
- electric versions with time delay (PUSH),
- easy to clean: control sub-assembly quick to clip on and unclip,
- pressure range: 50 - 160 Pa.

Accessories

Désignations	References
Shaft Ø 125 mm	11019023
Shaft Ø 116	11019024
Shaft Ø 100	11019025
Foam airtight seals for terminals	11019049
CMEV push button for BAHIA CURVE terminal	11026011
Interface 9 V DC-230 VAC	11015280
Stapled renovation plate for Bap'SI and Bahia Curve - White	11019050
Screw-on renovation plate for Bap'SI and Bahia Curve - White	11019054
Renovation blanking plate for terminals - White	11034108
Shoulder sleeve Ø 125 mm	11012220
Sheet sleeve 3 tabs Ø 125 mm	11012252
Male sleeve Ø 124 mm	11012250
TRIDENT SHEET SLEEVE D125 H300	11022055
Lock washer Ø 125 mm	11087043

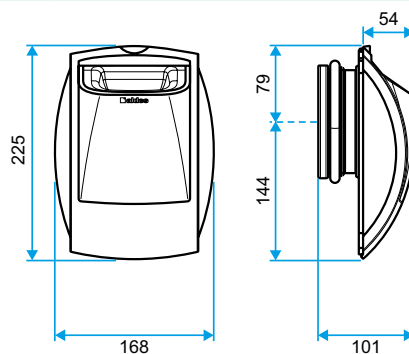
11019116 BAP'SI Elec INTER D1-Modulo shaftless - White

General data

References	Colour
11019116	Lagoon blue

Dimensional data

References	H (mm)	L (mm)	Ø connection (mm)
11019116	225	54	Sans fût



Bap'SI double débit électrique

Airflow data

References	Other adjustable airflows (m³/h)	Factory setting airflow (m³/h)	Pressure range (Pa)
11019116	20/75	30/90	50-160

Acoustic data

References	Dnew (C) (dB)	Lw at 136 Pa (dB(A))
11019116	56	31