

**Gas self-balancing CMEV exhaust terminal****11019011****BAP'SI Standard 15/30 m<sup>3</sup>/h - Ø 125 mm - White**

The BAP'SI Standard Dual Airflow pull-cord terminal is ideal for new construction projects - it offers two airflow settings: a base airflow whatever the conditions inside the dwelling and a boost airflow activated by pulling the cord.

**PRODUCT BENEFITS**

- easy to install
- Roll-in seal
- simple to clean

**Principles of operation**

In a self-balanced CMEV system, the airflow is constant whatever the ambient conditions or presence in rooms.

**Product description**

BAP'SI cord is a self-balanced dual airflow extract terminal for new and refurbished multi-occupancy residential buildings. BAP'SI boasts an innovative design with a Roll-In seal.

**Fields of application**

Multi-occupancy residential housing, Individual residential housing, New, Refurbishment, Non-residential buildings

**Installation**

- BAP'SI Dual airflow cord pull must be installed in humid rooms,
- the terminal must be installed at the top of a vertical wall or on the ceiling,
- the terminal must be accessible and removable,
- versions with shaft D 125 mm, slots into sleeves, RT Flex, semi-rigid or rigid ducts. The Roll-in seal ensures air tightness and flush fitting against the wall.
- Shaftless versions are clipped onto shafts D 125 mm, D 116 mm or D 100 mm. The terminal is screwed directly onto the wall or clipped onto a retrofit plate.

**Reference arguments**

- Self-balanced dual-airflow extract terminal.
- Innovative design, no grille.
- Versions and accessories that meet all installation needs.
- Comprises 3 parts: technical backplate, controller, removable front panel.
- Easy to clean: control sub-assembly quick to clip on and unclip.
- Modulo range: same terminal for several adjustable airflows (see table of ranges) - Modulo D1: for kitchens in studio and 1-bed dwellings, - Modulo D2: for kitchens in 2-bed+ apartments.
- Electric versions with timer (PUSH) or without timer (SWITCH) for multiple applications in multi-occupancy housing and non-residential buildings.
- Pressure range: 50-160 Pa.
- Tolerance on airflow: -0; +30 %.

## Gas self-balancing CMEV exhaust terminal

# 11019011

## BAP'SI Standard 15/30 m<sup>3</sup>/h - Ø 125 mm - White

### Main characteristics

- self-balanced exhaust terminal, dual airflow
- innovative design, no grille,
- versions and accessories to meet all installation needs,
- modulo range: same terminal for several adjustable airflow settings,
- easy to clean: control sub-assembly quick to clip on and unclip,
- pressure range: 50 - 160 Pa.

### Accessories

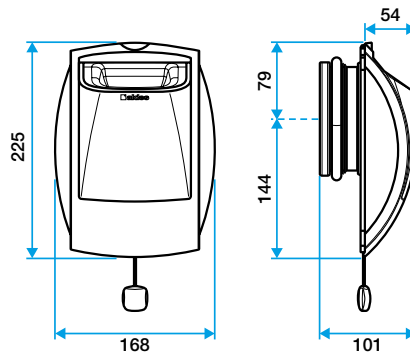
Description	Variants
Pull cord return for ceiling installation	11015001
Foam airtight seals for terminals	11019049
Acoustic ring for terminals Ø 125 mm	11019429
Renovation blanking plate for terminals - White	11034108
Shoulder sleeve Ø 125 mm	11012220
Sheet sleeve 3 tabs Ø 125 mm	11012252
Male sleeve Ø 124 mm	11012250
TRIDENT SHEET SLEEVE D125 H300	11022055
Lock washer Ø 125 mm	11087043

### General data

Variants	Main material	Colour
11019011	Plastic	Lagoon blue

### Dimensional data

Variants	H (mm)	L (mm)	Ø connection (mm)
11019011	225	54	125



### Airflow data

Variants	Airflow (m <sup>3</sup> /h)	Pressure range (Pa)
11019011	15/30	50-160

### Acoustic data

Variants	D <sub>new</sub> (C) (dB)	L <sub>w</sub> at 136 Pa (dB(A))
11019011	56	32

Gas self-balancing CMEV exhaust terminal

## 11019011

BAP'SI Standard 15/30 m<sup>3</sup>/h - Ø 125 mm - White

### Curve

