

Gas self-balancing CMEV exhaust terminal**11019020**
BAP'SI Standard 45/105 m³/h shaftless - Blanc

The BAP'SI Standard Dual Airflow pull-cord terminal is ideal for new construction projects - it offers two airflow settings: a base airflow whatever the conditions inside the dwelling and a boost airflow activated by pulling the cord.

**PRODUCT BENEFITS**

- easy to install
- Roll-in seal
- simple to clean

Principles of operation

In a self-balanced CMEV system, the airflow is constant whatever the ambient conditions or presence in rooms.

Product description

BAP'SI cord is a self-balanced dual airflow extract terminal for new and refurbished multi-occupancy residential buildings. BAP'SI boasts an innovative design with a Roll-In seal.

Fields of application

Multi-occupancy residential housing, Individual residential housing, New, Refurbishment, Non-residential buildings

Installation

- BAP'SI Dual airflow cord pull must be installed in humid rooms,
- the terminal must be installed at the top of a vertical wall or on the ceiling,
- the terminal must be accessible and removable,
- versions with shaft D 125 mm, slots into sleeves, RT Flex, semi-rigid or rigid ducts. The Roll-in seal ensures air tightness and flush fitting against the wall.
- Shaftless versions are clipped onto shafts D 125 mm, D 116 mm or D 100 mm. The terminal is screwed directly onto the wall or clipped onto a retrofit plate.

Reference arguments

Application:

- Self-balanced dual-airflow extract terminal for bath/WC with pull cord

Description:

- Shaftless attachment
- airflow: 45/105 m³/h
- Innovative design
- White colour
- Easy to install
- Roll-In seal

Gas self-balancing CMEV exhaust terminal

11019020

BAP'SI Standard 45/105 m3/h shaftless - Blanc

Main characteristics

- self-balanced exhaust terminal, dual airflow
- innovative design, no grille,
- versions and accessories to meet all installation needs,
- modulo range: same terminal for several adjustable airflow settings,
- easy to clean: control sub-assembly quick to clip on and unclip,
- pressure range: 50 - 160 Pa.

Accessories

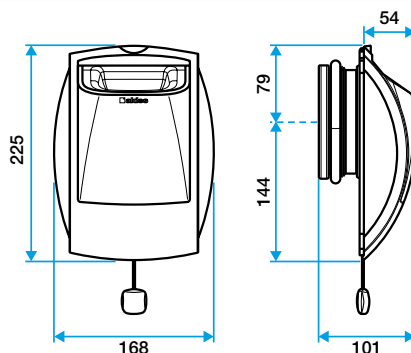
| Description | Variants |
|--|----------|
| Shaft Ø 125 mm | 11019023 |
| Shaft Ø 116 | 11019024 |
| Shaft Ø 100 | 11019025 |
| Pull cord return for ceiling installation | 11015001 |
| Foam airtight seals for terminals | 11019049 |
| Stapled renovation plate for Bap'SI and Bahia Curve - White | 11019050 |
| Screw-on renovation plate for Bap'SI and Bahia Curve - White | 11019054 |
| Renovation blanking plate for terminals - White | 11034108 |
| Shoulder sleeve Ø 125 mm | 11012220 |
| Sheet sleeve 3 tabs Ø 125 mm | 11012252 |
| Male sleeve Ø 124 mm | 11012250 |
| TRIDENT SHEET SLEEVE D125 H300 | 11022055 |
| Sheet sleeve 3 tabs Ø 100 mm | 11012253 |
| Sheet sleeve Ø 100 mm | 11012256 |
| Lock washer Ø 125 mm | 11087043 |

General data

| Variants | Main material | Colour |
|----------|---------------|-------------|
| 11019020 | Plastic | Lagoon blue |

Dimensional data

| Variants | H (mm) | L (mm) | Ø connection (mm) |
|----------|--------|--------|-------------------|
| 11019020 | 225 | 54 | Sans fût |



Airflow data

| Variants | Airflow (m³/h) | Pressure range (Pa) |
|----------|----------------|---------------------|
| 11019020 | 45/105 | 50-160 |

Acoustic data

| Variants | Dnew (C) (dB) | Lw at 136 Pa (dB(A)) |
|----------|---------------|----------------------|
| 11019020 | 53 | 38 |

Gas self-balancing CMEV exhaust terminal

11019020

BAP'SI Standard 45/105 m3/h shaftless - Blanc

Curve

