

**Gas self-balancing CMEV exhaust terminal****11019014**  
**BAP'SI Standard 45/120 m<sup>3</sup>/h - Ø 125 mm - White**

The BAP'SI Standard Dual Airflow pull-cord terminal is ideal for new construction projects - it offers two airflow settings: a base airflow whatever the conditions inside the dwelling and a boost airflow activated by pulling the cord.

**PRODUCT BENEFITS**

- easy to install
- Roll-in seal
- simple to clean

**Principles of operation**

In a self-balanced CMEV system, the airflow is constant whatever the ambient conditions or presence in rooms.

**Product description**

BAP'SI cord is a self-balanced dual airflow extract terminal for new and refurbished multi-occupancy residential buildings. BAP'SI boasts an innovative design with a Roll-In seal.

**Fields of application**

Multi-occupancy residential housing, Individual residential housing, New, Refurbishment, Non-residential buildings

**Installation**

- BAP'SI Dual airflow cord pull must be installed in humid rooms,
- the terminal must be installed at the top of a vertical wall or on the ceiling,
- the terminal must be accessible and removable,
- versions with shaft D 125 mm, slots into sleeves, RT Flex, semi-rigid or rigid ducts. The Roll-in seal ensures air tightness and flush fitting against the wall.
- Shaftless versions are clipped onto shafts D 125 mm, D 116 mm or D 100 mm. The terminal is screwed directly onto the wall or clipped onto a retrofit plate.

**Reference arguments**

Application:

- Self-balanced dual-airflow extract terminal for bath/WC with pull cord

Description:

- Attachment D125 mm
- airflow: 45/105 m<sup>3</sup>/h
- Innovative design
- White colour
- Easy to install
- Roll-In seal

Gas self-balancing CMEV exhaust terminal

## 11019014

### BAP'SI Standard 45/120 m3/h - Ø 125 mm - White

#### Main characteristics

- self-balanced exhaust terminal, dual airflow
- innovative design, no grille,
- versions and accessories to meet all installation needs,
- modulo range: same terminal for several adjustable airflow settings,
- easy to clean: control sub-assembly quick to clip on and unclip,
- pressure range: 50 - 160 Pa.

#### Accessories

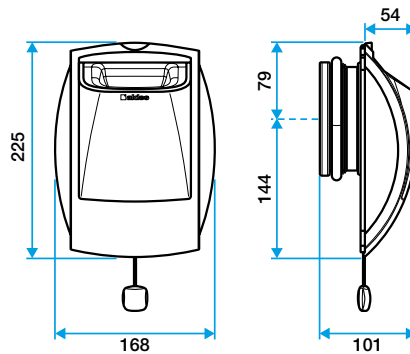
Description	Variants
Pull cord return for ceiling installation	11015001
Foam airtight seals for terminals	11019049
Acoustic ring for terminals Ø 125 mm	11019429
Renovation blanking plate for terminals - White	11034108
Shoulder sleeve Ø 125 mm	11012220
Sheet sleeve 3 tabs Ø 125 mm	11012252
Male sleeve Ø 124 mm	11012250
TRIDENT SHEET SLEEVE D125 H300	11022055
Lock washer Ø 125 mm	11087043

#### General data

Variants	Main material	Colour
11019014	Plastic	Lagoon blue

#### Dimensional data

Variants	H (mm)	L (mm)	Ø connection (mm)
11019014	225	54	125



#### Airflow data

Variants	Airflow (m³/h)	Pressure range (Pa)
11019014	45/105	50-160

#### Acoustic data

Variants	Dnew (C) (dB)	Lw at 136 Pa (dB(A))
11019014	53	38

Gas self-balancing CMEV exhaust terminal

## 11019014

BAP'SI Standard 45/120 m3/h - Ø 125 mm - White

### Curve

