

# 11019200

## BAP'SI TWIN supply shaftless - White

The BAP'SI TWIN terminal is ideal for the non-residential market - it ensures a constant airflow whatever the conditions inside the dwelling. BAP'SI TWIN offers the benefit of covering a wide range of airflow options.



Bap'Si Twin supply + MR

### PRODUCT BENEFITS

- easy to install
- Roll-in seal
- air supply version: must be associated with an Aldes MR

### Principles of operation

In a self-balanced CMEV system, the airflow is constant whatever the ambient conditions or presence in rooms.

### Product description

BAP'SI TWIN is a self-balanced fixed airflow extract terminal for the non-residential market, as well as new and refurbished multi-occupancy residential buildings. BAP'SI TWIN covers a full range of airflow settings from 15 to 150 m<sup>3</sup>/h.

### Fields of application

Multi-occupancy residential housing, Individual residential housing, New, Refurbishment, Non-residential buildings

### Installation

- BAP'SI TWIN must be installed in humid rooms,
- the terminal must be installed at the top of a vertical wall or on the ceiling,
- the terminal must be accessible and removable,
- versions with shaft D 125 mm slots into sleeves, RT Flex, semi-rigid or rigid ducts. The Roll-in seal ensures air tightness and flush fitting against the wall.
- shaftless versions are clipped onto shafts D 125 mm, D 116 mm or D 100 mm. The terminal is screwed directly onto the wall or clipped onto a retrofit plate.

### Reference arguments

- Self-balanced single-airflow extract terminal.
- Innovative design, no grille.
- Airflow range between 15 and 150 m<sup>3</sup>/h.
- Comprises 3 parts: technical backplate, controller, removable front panel.
- Versions and accessories to meet all installation needs.
- Easy to clean: front cover quick to clip on and unclip.
- Modulo range: same terminal for several adjustable airflows (see product range table).
- Pressure range: 50-160 Pa.
- Tolerance on airflow: (-0; +30%).
- Bap'Si twin air supply: terminal without controller, for use with an MR.

## 11019200 BAP'SI TWIN supply shaftless - White

### Main characteristics

- Bap'SI TWIN air supply: terminal without controller, for use with an MR.
- innovative design, no grille,
- versions and accessories to meet all installation needs,
- modulo range: same terminal for several adjustable airflow settings,
- easy to clean: control sub-assembly quick to clip on and unclip,
- pressure range: 50 - 160 Pa.

### Accessories

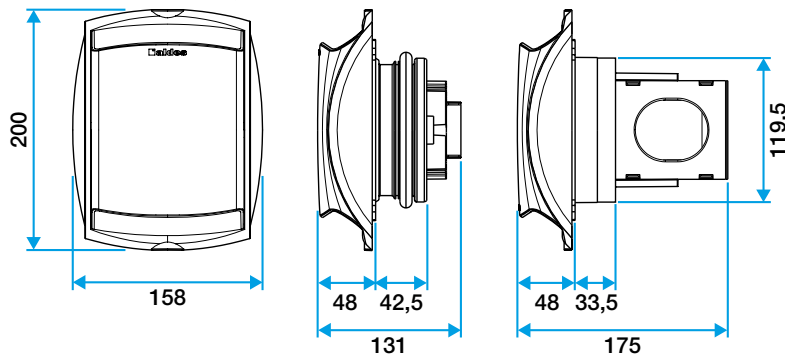
| Désignations   | References |
|--|------------|
| Shaft Ø 125 mm   | 11019023   |
| Shaft Ø 116  | 11019024   |
| Shaft Ø 100  | 11019025   |
| Foam airtight seals for terminals                            | 11019049   |
| Screw-on renovation plate for Bap'SI and Bahia Curve - White | 11019054   |
| Renovation blanking plate for terminals - White              | 11034108   |
| Shoulder sleeve Ø 125 mm                                     | 11012220   |
| Sheet sleeve 3 tabs Ø 125 mm                                 | 11012252   |
| Male sleeve Ø 124 mm   | 11012250   |
| TRIDENT SHEET SLEEVE D125 H300                               | 11022055   |
| Sheet sleeve 3 tabs Ø 100 mm                                 | 11012253   |
| Sheet sleeve Ø 100 mm  | 11012256   |
| Lock washer Ø 125 mm   | 11087043   |

### General data

| References | Colour      |
|------------|-------------|
| 11019200   | Lagoon blue |

### Dimensional data

| References | H (mm) | L (mm) | Ø connection (mm) |
|------------|--------|--------|-------------------|
| 11019200   | 200    | 48     | Sans fût          |



Bap'SI twin

### Airflow data

| References | Pressure range (Pa) |
|------------|---------------------|
| 11019200   | 50-160              |

# 11019200

## BAP'SI TWIN supply shaftless - White

### Curve

