

# 11018136

## BAZ MOTUS 20/105 m<sup>3</sup>/h - 23 kW - Ø 125/125 mm

The BAZ Motus terminal provides ventilation for the dwelling and evacuation of burnt gas from the boiler (except for condensation boilers).



BAZ Motus

### PRODUCT BENEFITS

- delivers ventilation airflow and evacuates burnt gases,
- suitable for 25 kW boilers with a pressure range of 90 to 140 Pa,
- D 125 mm connection on boiler side.

### REGLEMENTATIONS AND COMPLIANCES

Technical Opinion no.: 14.5/17-2267

### Principles of operation

The terminal is connected to the CMEV system and the boiler to deliver ventilation airflow and evacuate burnt gases.

### Product description

BAZ MOTUS is a self-balanced gas terminal for refurbished multi-occupancy residential buildings. The terminal provides ventilation for the dwelling and evacuation of burnt gases from the boiler.

### Fields of application

Multi-occupancy residential housing, New, Refurbishment

### Installation

- Terminal slots into stainless steel sleeve,
- D 125 mm or D 116 mm on CMEV side,
- D 125 mm connection on boiler side (boiler outlet D 125 mm connected with Alfex alu 0.15 mm).

### Reference arguments

The BAZ Motus system provides ventilation for the dwelling and evacuation of burnt gas from the boiler (except for condensation boilers).

- 6 models available according to type of dwelling and boiler output.
- Ø 125 mm or Ø 116 mm connection on CMEV side.
- Ø 125 mm connection on boiler side (boiler Ø 125 mm connected with Alfex aluminium 0.15 mm).
- Other connections: see accessories.
- Pressure range: - 80-140 Pa for 23 kW boiler. - 90-140 Pa for 25 kW boiler.

### Main characteristics

- the terminal is connected to the CMEV system and to a boiler to deliver ventilation airflow and evacuate burnt gases (except on condensing boilers),
- 6 models available according to the type of dwelling and boiler output.
- pressure range: 80 - 140 Pa for a 23 kW boiler and 90 - 140 Pa for a 25 kW boiler.

### Accessories

| Désignations                         | References |
|--------------------------------------|------------|
| CMEV sleeve Ø 125/100                | 11018188   |
| Stainless steel sleeve Ø 116         | 11018192   |
| Sheet sleeve hot connection Ø133/125 | 11018879   |
| Hot sleeve Ø 111/133                 | 11018882   |
| Stainless steel sleeve Ø 125         | 11018963   |
| ALFLEX compact gas kit Ø 125         | 11091347   |
| BAZ filter (pack of 5)               | 11018022   |

### Consumables

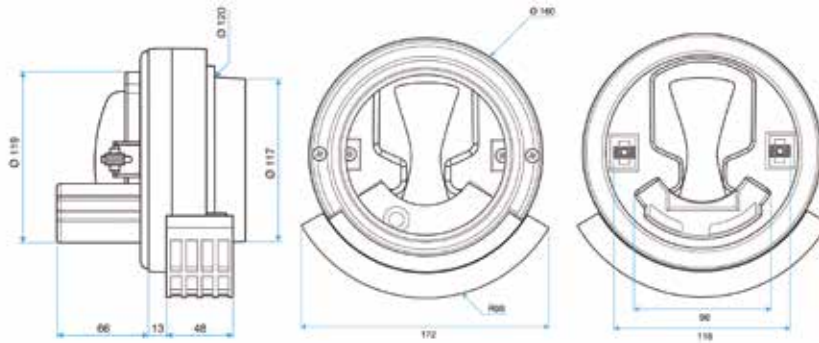
| Désignations           | References |
|------------------------|------------|
| BAZ filter (pack of 5) | 11018022   |

# 11018136

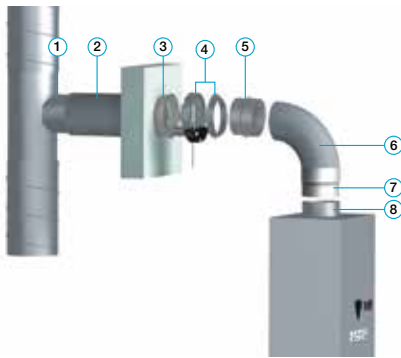
BAZ MOTUS 20/105 m<sup>3</sup>/h - 23 kW - Ø 125/125 mm

## Dimensional data

| References | Ø connection (mm) |
|------------|-------------------|
| 11018136   | 125               |

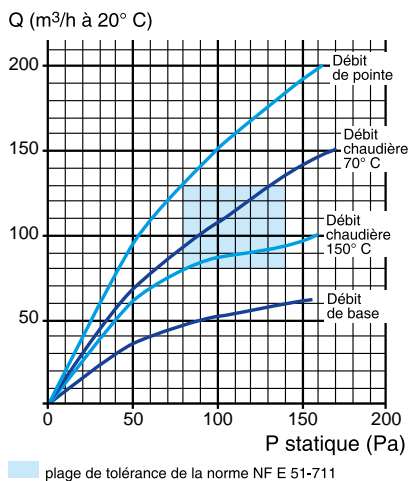


## Installation visual 1



Mise en œuvre BAZ Motus

## Curve



Tolerance range of standard NF E 51-711