

# 11018137

## BAZ MOTUS 30/90 m<sup>3</sup>/h - 23 kW - Ø 125/125 mm

The BAZ Motus terminal provides ventilation for the dwelling and evacuation of burnt gas from the boiler (except for condensation boilers).



BAZ Motus

### PRODUCT BENEFITS

- delivers ventilation airflow and evacuates burnt gases,
- suitable for 25 kW boilers with a pressure range of 90 to 140 Pa,
- D 125 mm connection on boiler side.

### REGLEMENTATIONS AND COMPLIANCES

Technical Opinion no.: 14.5/17-2267

### Principles of operation

The terminal is connected to the CMEV system and the boiler to deliver ventilation airflow and evacuate burnt gases.

### Product description

BAZ MOTUS is a self-balanced gas terminal for refurbished multi-occupancy residential buildings. The terminal provides ventilation for the dwelling and evacuation of burnt gases from the boiler.

### Fields of application

Multi-occupancy residential housing, New, Refurbishment

### Installation

- Terminal slots into stainless steel sleeve,
- D 125 mm or D 116 mm on CMEV side,
- D 125 mm connection on boiler side (boiler outlet D 125 mm connected with Alflex alu 0.15 mm).

### Reference arguments

Application:

- Self-balanced extract terminal for gas
- The BAZ Motus system provides ventilation for the dwelling and evacuation of burnt gas from the boiler (except for condensation boilers).

Description:

- Attachment D125 mm
- airflow: 30/90 m<sup>3</sup>/h, 23 kW
- D 125 mm connection on boiler side
- Easy to install

# 11018137

## BAZ MOTUS 30/90 m3/h - 23 kW - Ø 125/125 mm

### Main characteristics

- the terminal is connected to the CMEV system and to a boiler to deliver ventilation airflow and evacuate burnt gases (except on condensing boilers),
- 6 models available according to the type of dwelling and boiler output.
- pressure range: 80 - 140 Pa for a 23 kW boiler and 90 - 140 Pa for a 25 kW boiler.

### Accessories

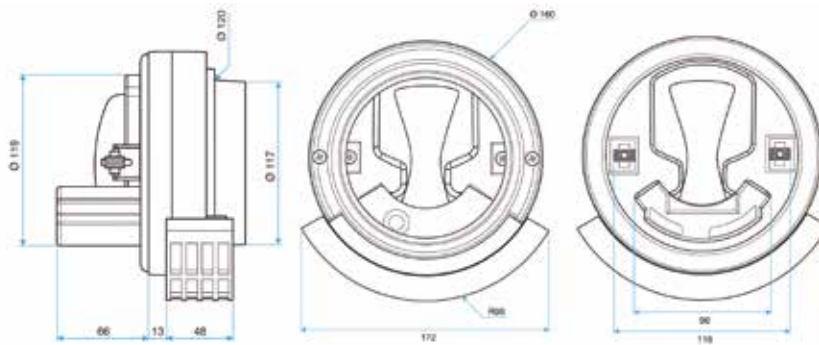
Désignations	References
CMEV sleeve Ø 125/100	11018188
Stainless steel sleeve Ø 116	11018192
Sheet sleeve hot connection Ø133/125	11018879
Hot sleeve Ø 111/133	11018882
Stainless steel sleeve Ø 125	11018963
ALFLEX compact gas kit Ø 125	11091347
BAZ filter (pack of 5)	11018022

### Consumables

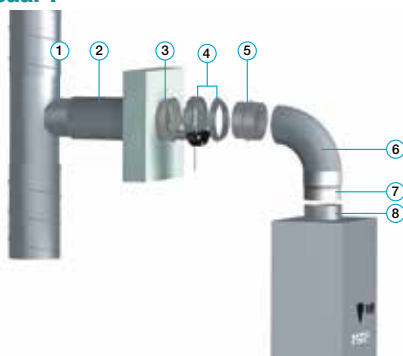
Désignations	References
BAZ filter (pack of 5)	11018022

### Dimensional data

References	Ø connection (mm)
11018137	125



### Installation visual 1

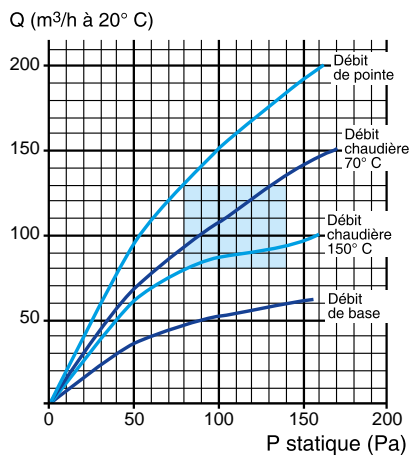


Mise en œuvre BAZ Motus

# 11018137

BAZ MOTUS 30/90 m<sup>3</sup>/h - 23 kW - Ø 125/125 mm

Curve



Tolerance range of standard NF E 51-711

plage de tolérance de la norme NF E 51-711