

11052293

BIM2 300 White - D160

The BIM2 300 small terminal is used for wall-mounted air supply and supply or return when ceiling mounted - all applications in exhaust or HRV ventilation systems in small non-residential buildings.



BIM2 300 D160

PRODUCT BENEFITS

- modern aesthetic,
- decorative finish,
- simple to install in all ceiling types.

Principles of operation

The BIM2 300 small terminal is used for wall-mounted air supply and supply or return when ceiling mounted - all applications in exhaust or HRV ventilation systems in small non-residential buildings.

Product description

The BIM2 300 is a small decorative aluminium terminal used on air supply and return applications in all exhaust or HRV ventilation systems in small non-residential buildings. Available from Ø 125 to Ø 200 mm.

Fields of application

New, Refurbishment, Non-residential buildings

Installation

- can be installed on wall (air supply) or ceiling (supply and return),
- safety cable supplied must be used if installed in ceiling.

Reference arguments

- BIM2 300 injection-moulded aluminium terminal with attractive finish
- Epoxy paint finish, RAL 9010 white, 30% matt,
- Used for supply air when wall-mounted and for return air either wall or ceiling-mounted
- D160
- Airtight seal
- Clipped directly into dedicated metal sleeve (available in accessories). The Aldes sleeve is essential for safe installation. This sleeve is fitted with brackets for fast «quarter-turn» installation, suited to BA13 or plaster ceilings.
- The safety cable supplied must be used if the terminal is installed in a ceiling position

Main characteristics

- injected aluminium terminal with attractive finish,
- epoxy paint finish, RAL 9010 white, 30% matt,
- clipped directly into dedicated metal sleeve,
- sleeve fitted with brackets for fast «quarter-turn» installation, suited to BA13 or plaster ceilings.

Accessories

Désignations	References
BIM sleeve 160	11053353
Sheet sleeve 3 tabs Ø 160 mm	11012254

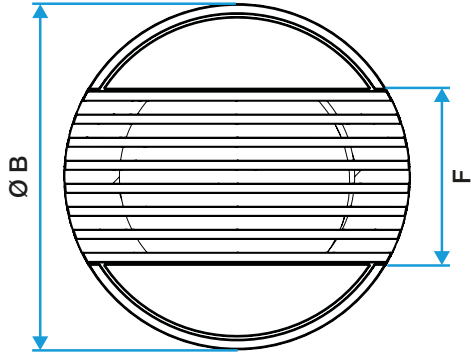
General data

References	Type of finish	Colour
11052293	Epoxy paint	Lagoon blue

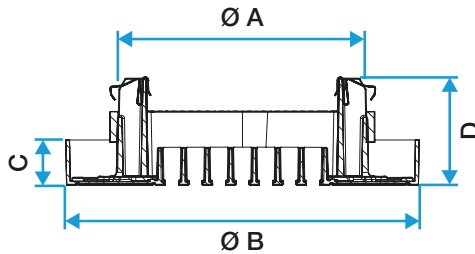
11052293 BIM2 300 White - D160

Dimensional data

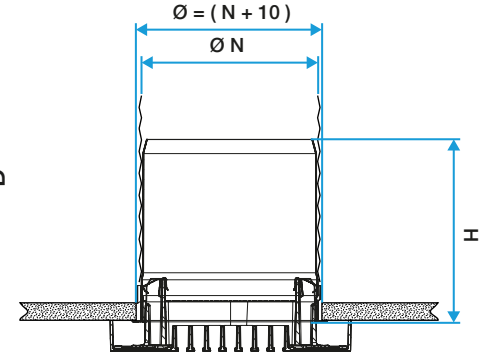
References	C (mm)	D (mm)	F (mm)	H (mm)	Ø A (mm)	Ø B (mm)	Ø N (mm)
11052293	22	52	120	127	157	213	160



Bouche BIM2 300 - Vue de devant



Bouche BIM2 300 - Vue de côté

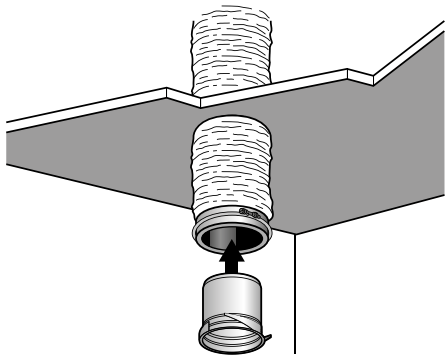


Bouche BIM2 300 avec sa manchette métallique

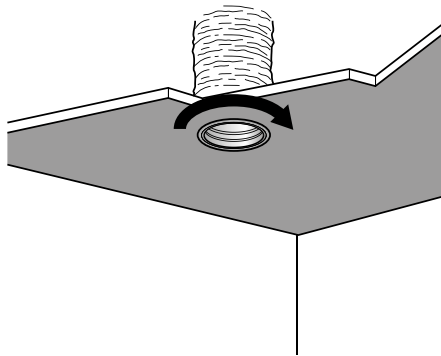
Airflow data

References	Comfort airflow for Lp 10 A < 35 dB(A) (m³/h)
11052293	150

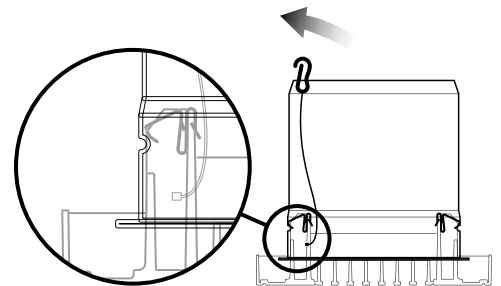
Installation visual 1



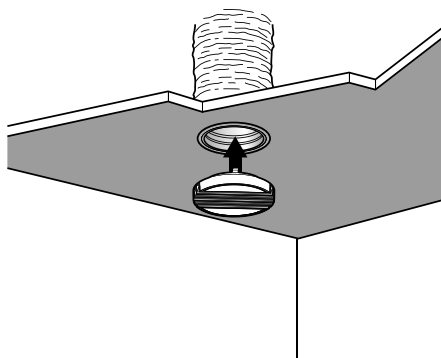
1



2



3



4