

# 11052297

## BIM2 320 White - D125

The BIM2 320 small terminal is used for ceiling-mounted air supply - all applications in exhaust or HRV ventilation systems in small non-residential buildings.



BIM2 320 D125

### PRODUCT BENEFITS

- modern aesthetic,
- decorative finish,
- simple to install in all ceiling types.

### Principles of operation

The BIM2 320 small terminal is used for ceiling-mounted air supply with a 90° deflection - all applications in exhaust or HRV ventilation systems in small non-residential buildings.

### Product description

The BIM2 320 is a small decorative aluminium terminal used for ceiling-mounted air supply with a 90° deflection - all applications in exhaust or HRV ventilation systems in small non-residential buildings. Installed on the ceiling, available from Ø 125 to Ø 200 mm.

### Fields of application

New, Refurbishment, Non-residential buildings

### Installation

- ceiling-mounted,
- safety cable supplied must be used if installed in ceiling.

### Reference arguments

- BIM2 320 injection-moulded aluminium terminal with attractive finish
- Epoxy paint finish, RAL 9010 white, 30% matt,
- Air supply via ceiling-mounted installation
- D125
- Airtight seal
- Clips directly into dedicated metal sleeve (available in accessories). The Aldes sleeve is essential for safe installation. This sleeve is fitted with brackets for fast «quarter-turn» installation, suited to BA13 or plaster ceilings.
- The safety cable supplied must be used

### Main characteristics

- injected aluminium terminal with attractive finish,
- 90° deflection,
- epoxy paint finish, RAL 9010 white, 30% matt,
- clipped directly into dedicated metal sleeve,
- sleeve fitted with brackets for fast «quarter-turn» installation, suited to BA13 or plaster ceilings.

### Accessories

Désignations	References
BIM sleeve 125	11053352
Shoulder sleeve Ø 125 mm	11012220
Sheet sleeve 3 tabs Ø 125 mm	11012252
Male sleeve Ø 124 mm	11012250
TRIDENT SHEET SLEEVE D125 H300	11022055
Lock washer Ø 125 mm	11087043

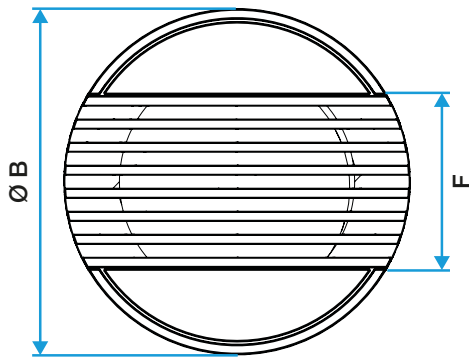
## 11052297 BIM2 320 White - D125

### General data

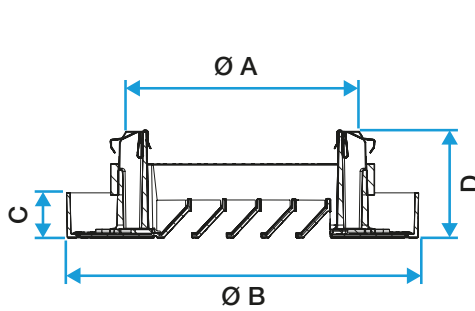
References	Type of finish	Colour
11052297	Epoxy paint	Lagoon blue

### Dimensional data

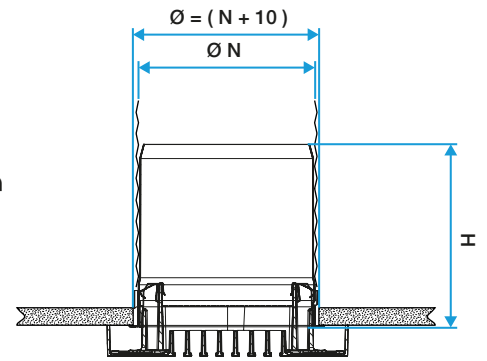
References	C (mm)	D (mm)	F (mm)	H (mm)	Ø A (mm)	Ø B (mm)	Ø N (mm)
11052297	22	52	86	130	122	172	125



Bouche BIM2 320 - Vue de devant



Bouche BIM2 320 - Vue de côté

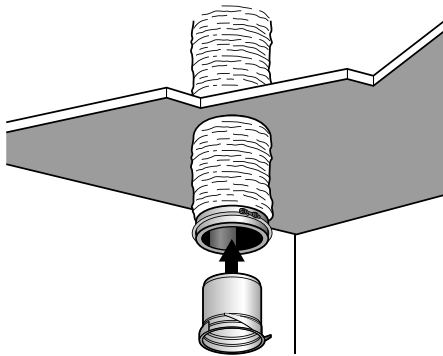


Bouche BIM2 320 avec sa manchette métallique

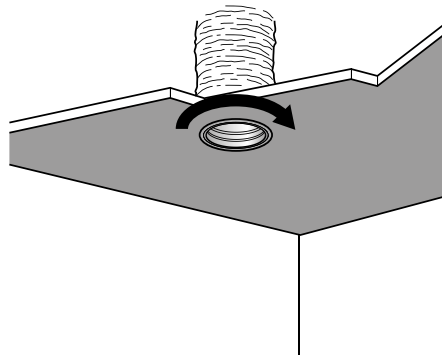
### Airflow data

References	Comfort airflow for $L_p 10 A < 35 \text{ dB(A)}$ ( $\text{m}^3/\text{h}$ )
11052297	100

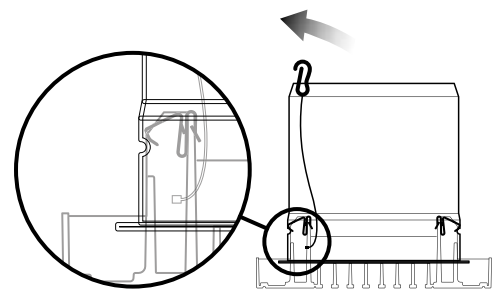
### Installation visual 1



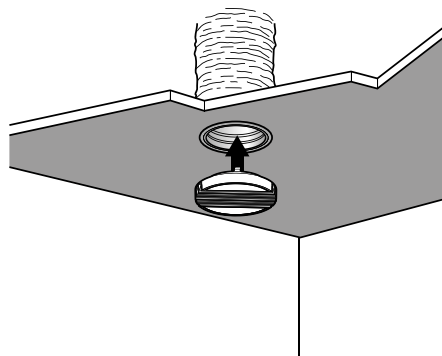
1



2



3



4