

11052299

BIM2 320 White - D200

The BIM2 320 small terminal is used for ceiling-mounted air supply - all applications in exhaust or HRV ventilation systems in small non-residential buildings.



BIM2 320 D200

PRODUCT BENEFITS

- modern aesthetic,
- decorative finish,
- simple to install in all ceiling types.

Principles of operation

The BIM2 320 small terminal is used for ceiling-mounted air supply with a 90° deflection - all applications in exhaust or HRV ventilation systems in small non-residential buildings.

Product description

The BIM2 320 is a small decorative aluminium terminal used for ceiling-mounted air supply with a 90° deflection - all applications in exhaust or HRV ventilation systems in small non-residential buildings. Installed on the ceiling, available from Ø 125 to Ø 200 mm.

Fields of application

New, Refurbishment, Non-residential buildings

Installation

- ceiling-mounted,
- safety cable supplied must be used if installed in ceiling.

Reference arguments

Application:

- Injection-moulded aluminium terminal with attractive finish
- 0° deflection for 300 model and 90° for 320 model
- Epoxy paint finish, RAL 9010 white, 30% matt,
- Clipped directly into dedicated metal sleeve
- Sleeve fitted with brackets for fast «quarter-turn» installation, suited to BA13 or plaster ceilings.
- The safety cable supplied must be used if the terminal is installed in a ceiling position.

Main characteristics

- injected aluminium terminal with attractive finish,
- 90° deflection,
- epoxy paint finish, RAL 9010 white, 30% matt,
- clipped directly into dedicated metal sleeve,
- sleeve fitted with brackets for fast «quarter-turn» installation, suited to BA13 or plaster ceilings.

Accessories

Désignations	References
BIM sleeve 200	11053354

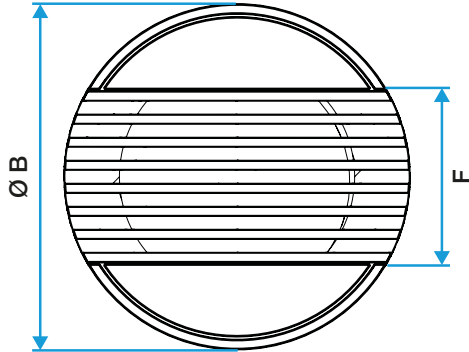
General data

References	Type of finish	Colour
11052299	Epoxy paint	Lagoon blue

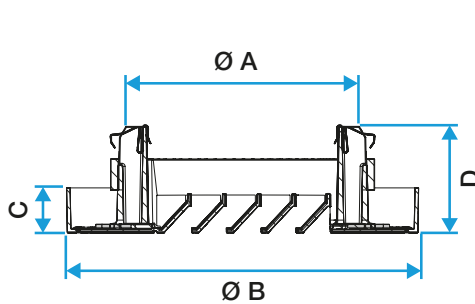
11052299 BIM2 320 White - D200

Dimensional data

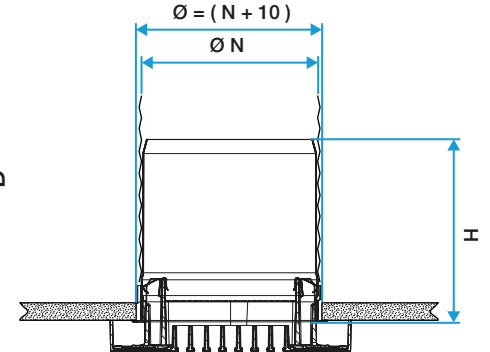
References	C (mm)	D (mm)	F (mm)	H (mm)	Ø A (mm)	Ø B (mm)	Ø N (mm)
11052299	22	52	136	127	172	253	200



Bouche BIM2 320 - Vue de devant



Bouche BIM2 320 - Vue de côté

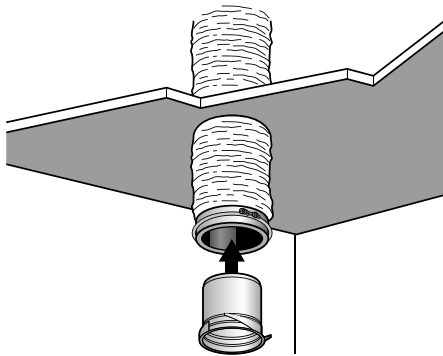


Bouche BIM2 320 avec sa manchette métallique

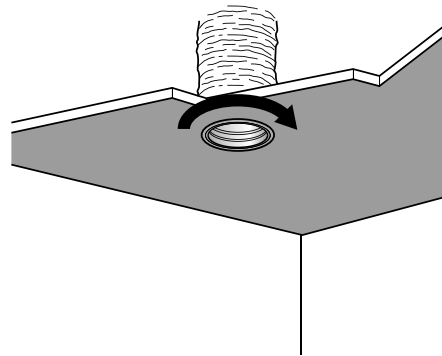
Airflow data

References	Comfort airflow for Lp 10 A < 35 dB(A) (m³/h)
11052299	230

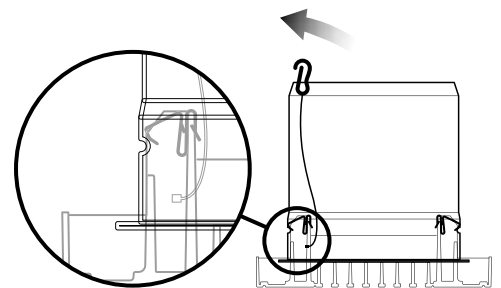
Installation visual 1



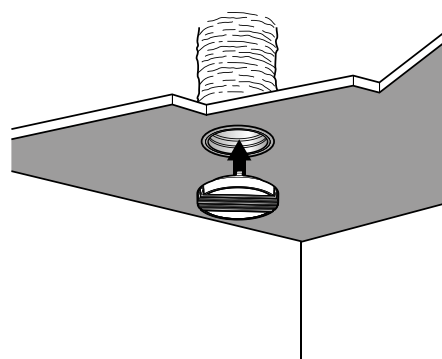
1



2



3



4