

Fixed ventilation grille**11085064**
BIP Ø 100 mm - White

BIP and BIO and fixed ventilation grilles for individual houses and multi-occupancy housing.



Grille BIP D 100 mm

PRODUCT BENEFITS

- aesthetic BIO Design terminal, fully dirigible,
- RAL 9010 white finish,
- range available in 3 diameters.

Principles of operation

BIP and BIO and fixed ventilation grilles for individual houses and multi-occupancy housing. Available in different diameters and operates on air exhaust (BIP) and supply (BIP and BIO).

Product description

BIP and BIO fixed ventilation grilles are designed for individual houses as well as new and refurbished multi-occupancy housing. They operate on both air supply and exhaust.

Fields of application

Multi-occupancy residential housing, Individual residential housing, New, Refurbishment

Installation

0

Reference arguments

- Injection-moulded high impact polystyrene, RAL 9010 white.
- BIP monobloc unit.
- BIO made up of two parts clipped together, enabling two operating configurations: «in-line» output for use across a wall or «90°» output for use in a ceiling.
- BIO Design with orientable vanes: wall or ceiling-mounted.
- Fixed in place by slotting into metal sleeve.

Main characteristics

- BIP and BIO fixed ventilation grilles,
- air supply and exhaust,
- available in 3 diameters: 80 mm, Ø 80 mm and Ø 125 mm,
- Ø 80 offers airflow of 60 m³/h,
- Ø 100 offers airflow of 90 m³/h,
- Ø 125 offers airflow of 110 m³/h,
- easy to maintain.

General data

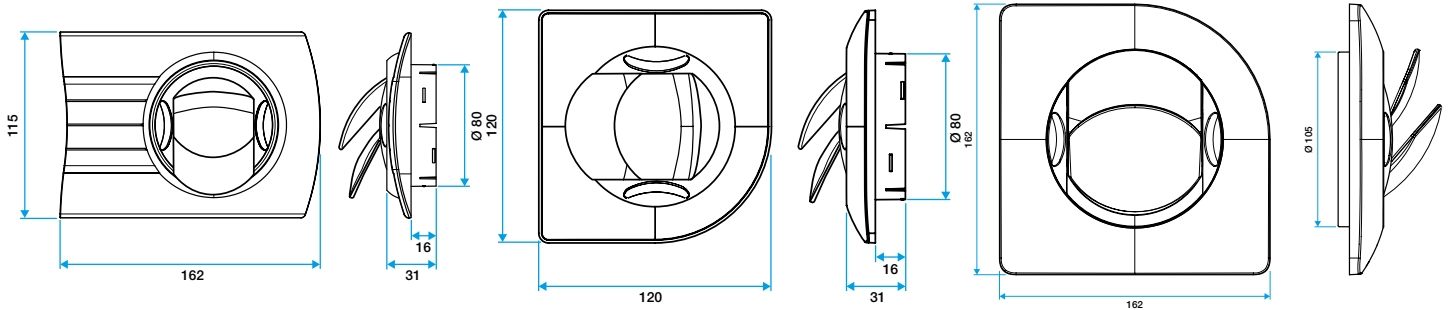
References	Colour
11085064	Lagoon blue

Fixed ventilation grille

11085064
BIP Ø 100 mm - White

Dimensional data

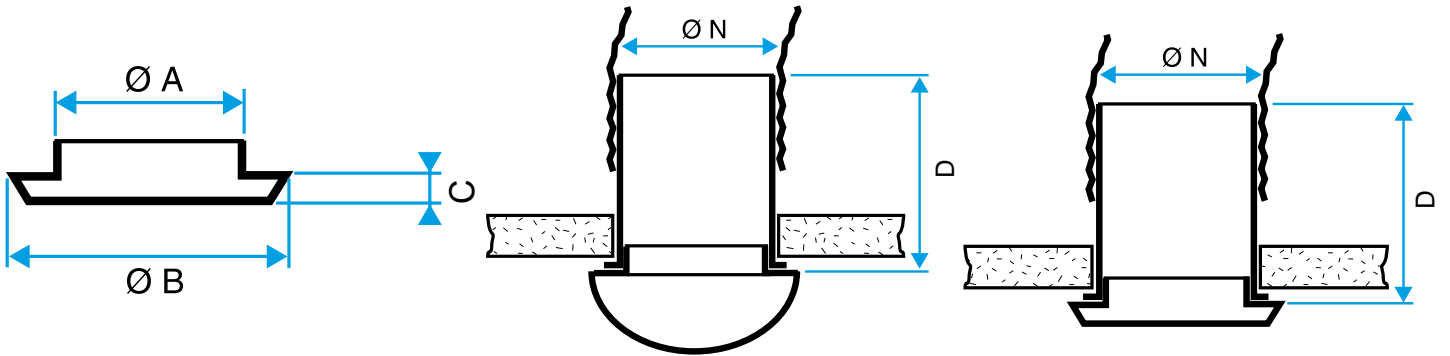
References	Ø A (mm)	Ø B (mm)	Ø C (mm)	Ø N (mm)
11085064	100	148	16	100



Grille BIO Design rectangulaire D 80 mm

Grille BIO Design carré D 80 mm

Grille BIO Design carré D 125 mm



BIP / BIO terminal only

BIO terminal with sleeve

Bouche BIP avec manchette

Airflow data

References	Comfort airflow (air supply with damper N 100% open) for $L_w < NR 25$ (m³/h)
11085064	90