

11064443

BS OBL GALVA 3M - 325x130

The galvanised oblong duct is a high-performance alternative to rectangular ducting, enabling high airflows in limited spaces.



Oblong Rigid Spiral Ducts

PRODUCT BENEFITS

- small size for high airflow,
- good airtight performance and controlled pressure losses,
- easy to install and maintain (no inaccessible corners).

Product description

The oblong duct is a galvanised steel duct, which is a high-performance alternative to rectangular ducting enabling high airflows in limited spaces (suspended ceiling), or with visible attachment in commercial and multi-occupancy residential buildings. The oblong duct is straight galvanised steel sheet, shaped into its L x H dimensions by forming and calibrating a circular duct on a hydraulic press.

Fields of application

Multi-occupancy residential housing, New, Refurbishment, Non-residential buildings

Installation

- accessories easily slotted on: ducts are female, accessories are male,
- attached using perforated strips, rails, etc.

Reference arguments

Application:

- Oblong ducts for installation of ventilation systems in confined spaces (suspended ceiling, horizontal side flues conveying high airflow, etc.)
- Effective alternative to rectangular ducting: controlled pressure losses, easy to service, lightweight ducts

Description:

- Oblong duct galvanised steel length 3 m - Length 325 mm x height 130 mm
- Equivalent circular diameter: 200 mm

Main characteristics

- bar length: 3 m,
- ribbed tubes with smooth end pieces to ensure airtight seal on rigid connections,
- pressure loss in oblong duct = that of circular duct of equivalent diameter,
- standard dimensions.

Accessories

| Désignations | References |
|-------------------------------|------------|
| Quick Susp. cable 2 m 0-45 kg | 11091064 |
| Quick Susp. cable 3 m 0-45 kg | 11091065 |
| Quick Susp. cable 5 m 0-45 kg | 11091093 |
| Inspection hatch 250 x 150 PP | 11091850 |
| Inspection hatch 300 x 200 PP | 11091851 |
| Inspection hatch 400 x 300 PP | 11091852 |
| Inspection hatch 500 x 400 PP | 11091853 |

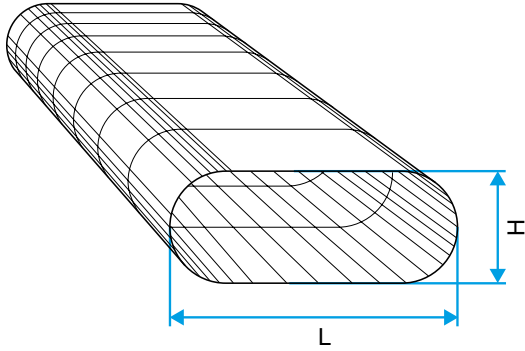
General data

| References | Free air passage section (m ²) |
|------------|--|
| 11064443 | 0.0386 |

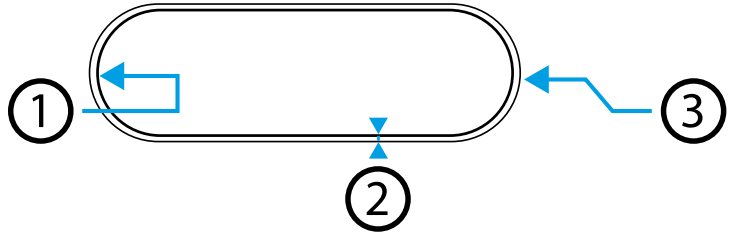
11064443 BS OBL GALVA 3M - 325x130

Dimensional data

| References | H (mm) | L (mm) | Ø manufacturing base (mm) | Ø equivalent (mm) | Max. peripheral clearance (mm) | Min. peripheral clearance (mm) | Weight (kg) | Section L x H (mm x mm) | Accessory tolerances (mm) | Duct tolerances (mm) |
|------------|--------|--------|---------------------------|-------------------|--------------------------------|--------------------------------|-------------|-------------------------|---------------------------|----------------------|
| 11064443 | 130 | 3000 | 250 | 200 | 1.5 | 0.5 | 12.9 | 325 x 130 | 0,5 | 0 / +1,00 |



Dimensional Drawing Oblong Rigid Spiral Ducts



Dimensional Drawing Oblong Rigid Spiral Ducts