

11017346

BW43 BAHIA® CURVE S 15-50 m³/h - Ø 125 mm pull cord - White

The BAHIA CURVE Commercial humidity-controlled terminal for the non-residential market ensures sufficient and constant extraction of indoor pollution according to the humidity level in the room.



BOUCHE BW43 BAHIA Ø 125 mm cordelette

PRODUCT BENEFITS

- Unique no-grille design conserves the aesthetic character of the terminal even if it is clogged,
- Roll-In seal,
- simple to clean,
- single reference for battery-powered or 230 V mains power.

REGLEMENTATIONS AND COMPLIANCES

Identification no. QB37 : 05/02-CHY3-2185
Technical Opinion no. : 14.5/17-2267

Principles of operation

In a humidity-controlled CMEV system, the airflow is automatically controlled according to the humidity level in rooms and therefore based on the actual ventilation needs of the building.

Product description

BAHIA CURVE Commercial terminals are humidity-controlled and automatically adjust airflow according to humidity levels in the rooms of commercial buildings.

Fields of application

New, Refurbishment

Installation

- BAHIA CURVE Commercial must be installed in humid rooms or equipment rooms: bathrooms, WC, cellar, etc.
- the terminal must be located at the top of a vertical wall or on the ceiling at least 1.80 m from the floor,
- the terminal must be accessible and removable with a distance of at least 20 cm between the centre of the terminal and the adjacent walls and not glued to the duct, the air tightness of the terminal - duct connection must be optimal.
- the air tightness of the terminal - duct connection must be optimal. This is achieved with O-ring seals and reinforced with a sleeve. A sheet metal sleeve is used for multi-occupancy housing (stainless steel sleeve required for a gas CMEV system). A plastic sleeve may be used for individual houses. The sleeves are slotted directly into: a sleeve, RT Flex, rigid or semi-rigid ducts. The airtight seal is created with O-ring seals and reinforced with a sleeve,
- versions with shaft D 80 mm, slots into sleeves, rigid and semi-rigid ducts,
- shaftless versions: clipped on ØD 125 mm shaft (Roll-In seal), Ø 116mm shaft (Roll-In seal) or Ø 100 mm shaft (foam seal),
- If cord-operated grilles are installed in the ceiling or above a piece of furniture, use a cord return system (code 11015001).
- Note: For humidity-controlled terminals with electrical controls, a 9V alkaline battery type 6LR61 is required as well as a conventional push button (code 11026011),
- Humidity-controlled terminals operate within the 80-160 Pa pressure range,
- Extract terminals must be maintained and checked at least once a year. Never connect a mechanical extractor hood to the CMEV network (article 14 of Decision of 24 March 1982),
- Before replacing an old terminal with a new one, measure the pressure and identify the type of dwelling,

11017346

BW43 BAHIA® CURVE S 15-50 m3/h - Ø 125 mm pull cord - White

Reference arguments

- Humidity-controlled terminal.
- Innovative design, no grille.
- Versions and accessories to meet all installation needs.
- Easy to clean: control sub-assembly quick to clip on and unclip.
- Pressure range: 80-160 Pa.
- Application: Humidity-controlled Mechanical Ventilation (MEV)
- Hotels.
- New builds and refurbishment.

Main characteristics

- versions and accessories to meet all installation needs,
- easy maintenance: control sub-assembly quick to clip on and unclip, easy to clean without being removed from the wall thanks to its removable Bahia Curve casing,
- pressure range: 80 - 160 Pa.

Accessories

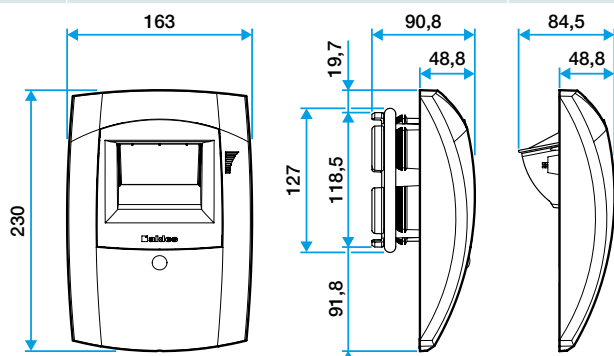
Désignations	References
Pull cord return for ceiling installation	11015001
Acoustic ring for terminals Ø 125 mm	11019429
Shoulder sleeve Ø 125 mm	11012220
Sheet sleeve 3 tabs Ø 125 mm	11012252
Male sleeve Ø 124 mm	11012250
TRIDENT SHEET SLEEVE D125 H300	11022055
Lock washer Ø 125 mm	11087043
Stapled renovation plate for Bap'SI and Bahia Curve - White	11019050
Screw-on renovation plate for Bap'SI and Bahia Curve - White	11019054

General data

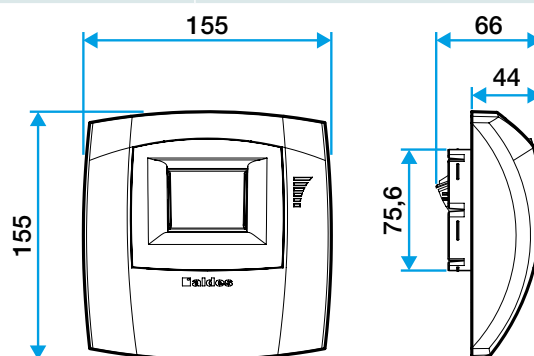
References	Type of control	Type of hotel room	Colour
11017346	Pull cord	3 people	Lagoon blue

Dimensional data

References	H (mm)	L (mm)	Ø connection (mm)
11017346	155	48	125



BW44, B44 Bahia Curve L



BW42, BW43, B42, B43, Bahia Curve S

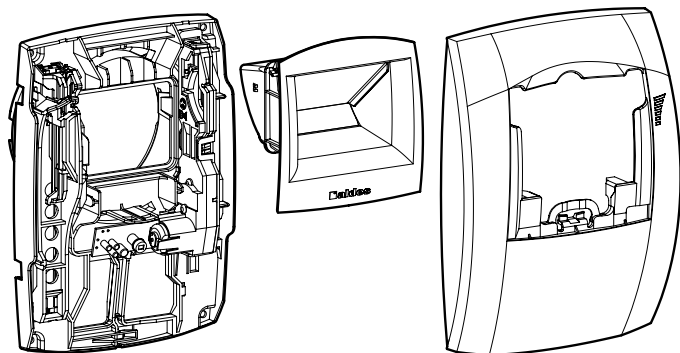
11017346

BW43 BAHIA® CURVE S 15-50 m³/h - Ø 125 mm pull cord - White

Airflow data

References	Basic airflow (m ³ /h)	Boost airflow (m ³ /h)	Relative humidity (%)	Pressure range (Pa)
11017346	15-50	30	22/57	80-160

Installation visual 1



Mise en œuvre Bahia Curve L