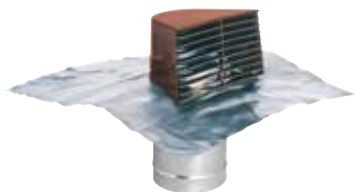


# 11022042

## Brown flap outlet D125 + lead plate

The flap outlet is used for air outlet or intake on a ventilation system in a single-family dwelling.



Flap outlet

### PRODUCT BENEFITS

- available in grey and brown,
- discreet installation,
- low pressure losses.

### Product description

The flap outlet is used for air inlet or outlet on a CMEV system in an individual house. It is compatible with all types of roofs and available in grey or brown for discreet integration.

### Fields of application

Individual residential housing, New, Refurbishment

### Installation

- not for use with Gas CMEV,
- for all roof types: tile, slate, etc.

### Reference arguments

Application:

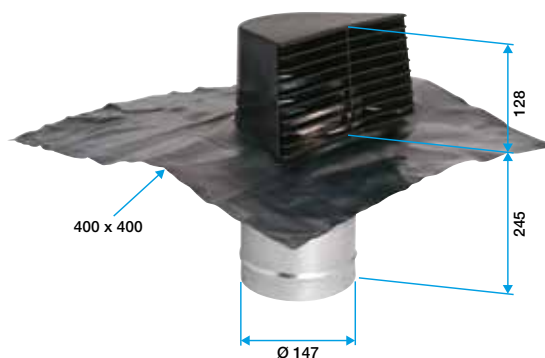
- Accessory for exhaust and heat recovery ventilation system in individual house or multi-occupancy residence
- New builds or refurbishment

Description:

- ABS deflector with protective screen
- Available in grey (RAL 7015) or brown (RAL 8028)
- Galvanised metal sleeve, Ø 150 mm,
- Ø 125 mm connection with adaptor seal supplied
- Lead plate 400 x 400 mm

### Main characteristics

- ABS deflector with protective grille,
- available in grey (RAL 7015) or brown (RAL 8028),
- galvanised sheet metal sleeve, diameter 150 mm,
- 125 mm diameter connection with adaptor seal supplied,
- lead plate 400 x 400 mm.



Encombrement Sortie Chatière

11022042

Brown flap outlet D125 + lead plate