

## Connector

# 11093605

## CP GALVA T-PIECE BRANCH - D355/500

The T-piece branch connector creates a junction and access point for the vertical collector system and the horizontal ducting.



Caisson Piquage

### PRODUCT BENEFITS

- riser remains accessible.

### Product description

The T-piece branch connector (CP) is a galvanised steel accessory used to join the vertical collector system and horizontal ducting while enabling accessibility to the vertical riser and horizontal ducting as per the requirements of DTU 68.1 and 68.2. It is specifically designed for risers opening out into attics or flat roofs of commercial and multi-occupancy residential buildings, for which the airtight reading is made before the T-piece is installed (• 95% of cases). The T-piece branch connector is fitted with a stop ring on the piece body to hold the plug in a stable position and limit the risk of leaks.

### Fields of application

Multi-occupancy residential housing, New, Refurbishment, Non-residential buildings

### Installation

- easy assembly of interlocking accessories: ducts are female, accessories are male,
- Final seal requires sealant and/or perforated strip,
- attached to duct using self-tapping screws (4 to 6 depending on diameter),
- if the air tightness reading is made after the T-piece connector is installed, use a CPT or CPT2A,
- installation requires a flat roof penetration sleeve: FT.

### Reference arguments

Application:

- Flat roof T-piece connector or T-piece connector 355/500 mm

Specifically designed for risers opening out into attics or flat roofs, for which the airtight reading is made before the T-piece is installed

Description:

- T-piece branch connector galvanised steel diameter 355/500 mm
- A stop-ring on the body maintains the plug in a stable position and limits the risk of leaks
- Small size facilitates installation

### Main characteristics

- available in diameters from 125 to 500,
- galvanised steel as per EN 10346 ensuring uniformity of coating,
- material compliant with requirements of DTU 68.3: 2013-06 P1-1: "Mechanical Ventilation Installations",
- M0 fire certification.

### Accessories

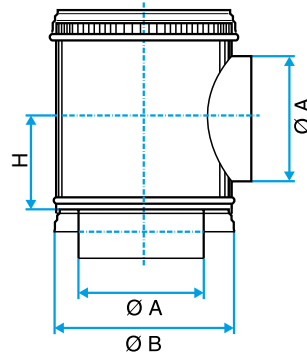
Désignations	References
DEFLECTION GALV CPC/CPT-CP 355/500 (emb)	11093883

Connector

## 11093605 CP GALVA T-PIECE BRANCH - D355/500

Dimensional data

References	L (mm)	Ø A (mm)	Ø B (mm)	Weight (kg)
11093605	650	355	500	8,2

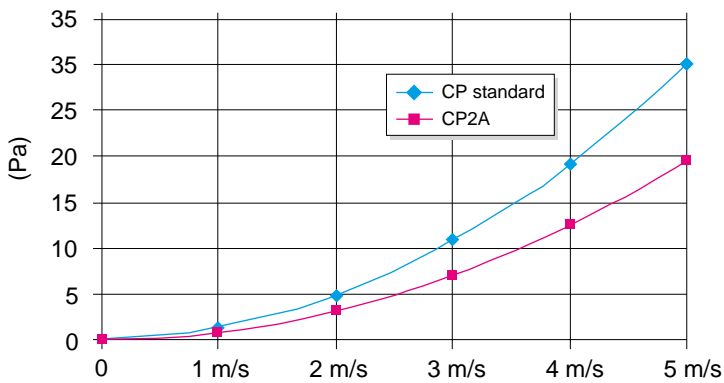


Dimensional drawing T-piece branch connector

Regulatory data

References	Fire protection rating
11093605	M0

Curve



- > Sound attenuation by the CP2A is due to 2 phenomena:
  - acoustic regulation due to the shape of the T-piece itself; this regulation will mainly reduce noise at frequencies below 500 Hz,
  - the high-density acoustic foam of the CP2A; this foam will mainly reduce noise at frequencies above 500 Hz.
- > At low frequencies, the CP2A is complementary to the passive silencer.

Comparaison pertes de charge CP et CP2A