

**Connector****11093081**  
**CS 90° Y-PIECE GALVA - D80**

The 90° Y-piece enables confluence of 2 galvanised duct branches at 90° from each other.



Culotte Simple 90°

**Product description**

The 90° Y-piece enables confluence of 2 galvanised duct branches at 90° from each other. Its aerodynamic design means limited pressure loss, especially when used for air supply.

**Fields of application**

Multi-occupancy residential housing, New, Refurbishment, Non-residential buildings

**Installation**

- easy assembly of interlocking accessories: ducts are female, accessories are male,
- Final seal requires sealant and/or perforated strip,
- attached to duct using self-tapping screws (4 to 6 depending on diameter).

**Reference arguments**

Application:

- Accessory to join two ducting branches at 90° from each other
- Aerodynamic design means limited pressure loss, especially when used for air supply

Description:

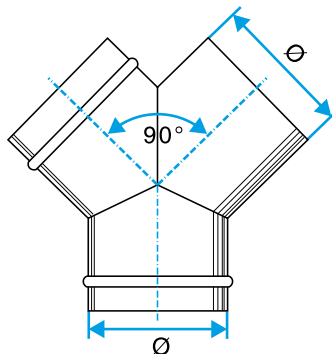
- Single Y-piece 90° diameter 80 mm galvanised steel

**Main characteristics**

- available in diameters from 80 to 900,
- galvanised steel as per EN 10346 ensuring uniformity of coating,
- MO fire certification.

**Dimensional data**

References	Ø (mm)
11093081	80



Dimensional drawing 90° Y-piece

Connector

11093081

CS 90° Y-PIECE GALVA - D80

Regulatory data

References	Fire protection rating
11093081	M0