

## Connector

# 11066318

## CVO 90° BEND GALVA - 325x130

The Oblong vertical 90° bend is used to change the direction of an oblong ducting system by a 90° angle.



90° bend oblong vertical

### PRODUCT BENEFITS

- small size for high airflow,
- good airtight performance and controlled pressure losses,
- easy to install and maintain (no inaccessible corners).

### Product description

The Oblong vertical 90° bend is used to change the direction of an oblong ducting system by a 90° angle.

### Fields of application

Multi-occupancy residential housing, New, Refurbishment, Non-residential buildings

### Installation

- easy assembly of interlocking accessories: ducts are female, accessories are male,
- Final seal requires sealant and/or perforated strip,
- attached to duct using self-tapping screws (4 to 6 depending on diameter).

### Reference arguments

Application:

- Oblong accessories for installation of ventilation systems in confined spaces (suspended ceiling, horizontal side flues conveying high airflow, etc.)
- Oblong vertical bend used to change the direction of oblong ducting by 90°

Description:

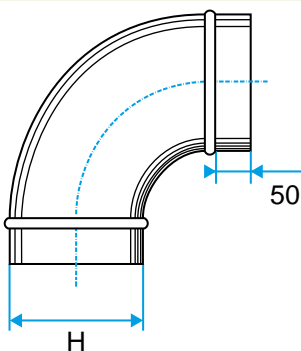
- CVO 90° oblong vertical bend galvanised steel
- Length 325 mm x height 130 mm

### Main characteristics

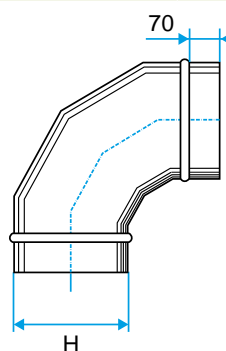
- standard dimensions (20 oblong sections),
- galvanised steel as per EN 10346 ensuring uniformity of coating,
- MO fire certification.

### Dimensional data

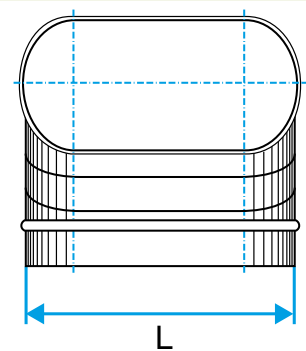
References	H (mm)	L (mm)
11066318	130	325



Dimensional drawing oblong horizontal 90° bend



Dimensional drawing oblong horizontal 90° bend



Dimensional drawing oblong horizontal 90° bend

### Connector

**11066318**  
CVO 90° BEND GALVA - 325x130

### Regulatory data

References	Fire protection rating
11066318	M0