

## Connector

# 11063254

## CVO 90° BEND GALVA - 620x320

The Oblong vertical 90° bend is used to change the direction of an oblong ducting system by a 90° angle.



### PRODUCT BENEFITS

- small size for high airflow,
- good airtight performance and controlled pressure losses,
- easy to install and maintain (no inaccessible corners).

### Product description

The Oblong vertical 90° bend is used to change the direction of an oblong ducting system by a 90° angle.

### Fields of application

Multi-occupancy residential housing, New, Refurbishment, Non-residential buildings

### Installation

- easy assembly of interlocking accessories: ducts are female, accessories are male,
- Final seal requires sealant and/or perforated strip,
- attached to duct using self-tapping screws (4 to 6 depending on diameter).

### Reference arguments

Application:

- Oblong accessories for installation of ventilation systems in confined spaces (suspended ceiling, horizontal side flues conveying high airflow, etc.)
- Connection accessory to change the direction of oblong ducting by 90°.

Description:

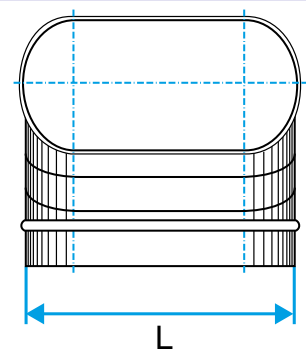
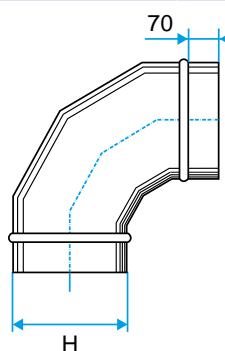
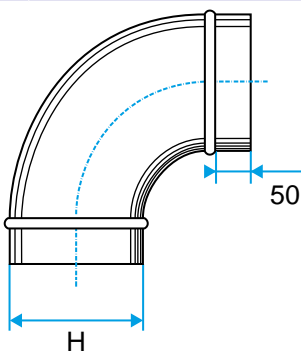
- Oblong vertical bend made of galvanised steel.
- Length 620 mm and height 320 mm.

### Main characteristics

- standard dimensions (20 oblong sections),
- galvanised steel as per EN 10346 ensuring uniformity of coating,
- M0 fire certification.

### Dimensional data

Variants	H (mm)	L (mm)
11063254	320	620



Connector

**11063254**  
CVO 90° BEND GALVA - 620x320

Regulatory data

Variants	Fire protection rating
11063254	M0