

## Connector

# 11063252

## CVO 90° BEND GALVA - 850x265

The Oblong vertical 90° bend is used to change the direction of an oblong ducting system by a 90° angle.



90° bend oblong vertical

### PRODUCT BENEFITS

- small size for high airflow,
- good airtight performance and controlled pressure losses,
- easy to install and maintain (no inaccessible corners).

### Product description

The Oblong vertical 90° bend is used to change the direction of an oblong ducting system by a 90° angle.

### Fields of application

Multi-occupancy residential housing, New, Refurbishment, Non-residential buildings

### Installation

- easy assembly of interlocking accessories: ducts are female, accessories are male,
- Final seal requires sealant and/or perforated strip,
- attached to duct using self-tapping screws (4 to 6 depending on diameter).

### Reference arguments

Application:

- Oblong accessories for installation of ventilation systems in confined spaces (suspended ceiling, horizontal side flues conveying high airflow, etc.)
- Connection accessory to change the direction of oblong ducting by 90°.

Description:

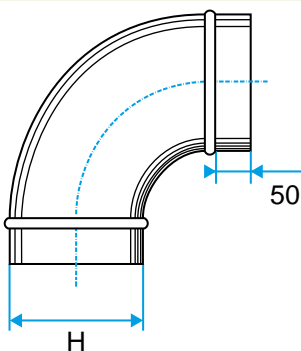
- Oblong vertical bend made of galvanised steel.
- Length 850 mm and height 265 mm.

### Main characteristics

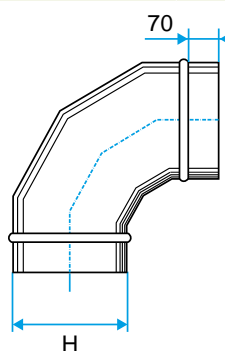
- standard dimensions (20 oblong sections),
- galvanised steel as per EN 10346 ensuring uniformity of coating,
- MO fire certification.

### Dimensional data

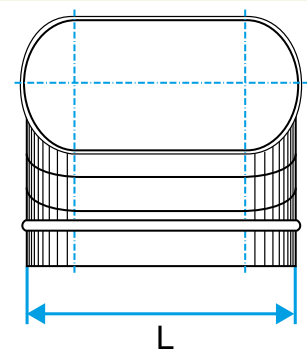
| References | H (mm) | L (mm) |
|------------|--------|--------|
| 11063252   | 265    | 850    |



Dimensional drawing oblong horizontal 90° bend



Dimensional drawing oblong horizontal 90° bend



Dimensional drawing oblong horizontal 90° bend

### Connector

**11063252**  
CVO 90° BEND GALVA - 850x265

### Regulatory data

| References | Fire protection rating |
|------------|------------------------|
| 11063252   | M0                     |