

11011158

EA Module 22 m³/h - 37 dB - Oak

EA is an acoustic self-balanced air inlet for installation in woodwork on individual houses and multi-occupancy residential buildings.



EA self-balanced air inlet: pitch 370 mm

PRODUCT BENEFITS

- soundproofing up to 41 dB,
- Hygro A compatible for NF certified versions,
- no visible screw attachment.

Principles of operation

EA is a self-balanced air inlet. It ensures a constant airflow of fresh air, whatever the conditions inside the dwelling.

Product description

EA is an acoustic self-balanced air inlet for installation in woodwork on individual houses and multi-occupancy residential buildings. It ensures a constant airflow of fresh air, whatever the conditions inside the dwelling. Hygro A-compatible for NF-certified versions.

Fields of application

Multi-occupancy residential housing, Individual residential housing, Refurbishment

Installation

- air inlets must only be mounted in the main rooms of the dwelling: bedrooms, living room, lounge, etc.
- they must be installed inside dwellings, in the upper part of windows or on the vertical panel of a roller shutter box,
- the incoming airflow must be oriented towards the ceiling,
- can be installed on any type of mortise:
 - double slot 2 x (172 x 12) mm or
 - single slot 250 x 15 mm.

Reference arguments

Application:

- Double slot: 2 x (172 x 12) mm or single slot (250 x 15) mm.
- Installed on joinery.

Description:

- Vanes provide anti-insect protection.
- No visible screw attachment.
- Soundproofing 36 to 41 dB.

11011158 EA Module 22 m3/h - 37 dB - Oak

Main characteristics

- self-balanced acoustic air inlet,
- for installation on joinery,
- exists in different colours.

Accessories

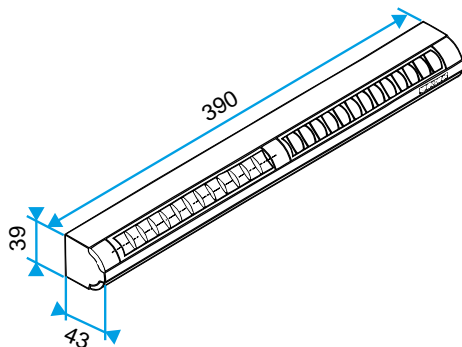
| Désignations | References |
|---|------------|
| Long adapter flange - Brown | 11011415 |
| Woodwork cover - Brown | 11011814 |
| APP rain hood cover woodwork - White | 11011901 |
| Acoustic cover for EHL, EA and EHB2 - Brown | 11011260 |
| Acoustic spacer for EA - Brown | 11011278 |
| Acoustic spacer for EA - Light Oak | 11011280 |
| Acoustic spacer for EA - Ivory | 11011281 |
| Louvre cover - White | 11011237 |
| Standard cover - Light Oak | 11011274 |
| Woodwork cover - Anthracite | 11011424 |
| Woodwork cover - Ivory | 11011699 |
| Woodwork cover - Aluminium | 11011753 |
| Woodwork cover - Black | 11011813 |
| Woodwork cover - Oak | 11011815 |
| Woodwork cover - White | 11011988 |
| Acoustic cover for EHL, EA and EHB2 - White | 11011972 |
| Acoustic cover for EHL, EA and EHB2 - Aluminium | 11011755 |
| Acoustic cover for EHL, EA and EHB2 - Light Oak | 11011271 |
| Acoustic cover for EHL, EA and EHB2 - Oak | 11011261 |
| Acoustic cover for EHL, EA and EHB2 - Black | 11011262 |
| Acoustic cover for EHL, EA and EHB2 - Ivory | 11011263 |
| Acoustic cover for EHL, EA and EHB2 - Anthracite | 11011425 |
| Anti-insect acoustic cover for EHL, EA and EHB2 - White | 11011426 |
| Long adapter flange - White | 11011413 |
| Long adapter flange - Oak | 11011414 |
| Long adapter flange - Aluminium | 11011417 |
| Long adapter flange - Light Oak | 11011418 |
| Long adapter flange - Ivory | 11011419 |
| Long adapter flange - Black | 11011416 |

General data

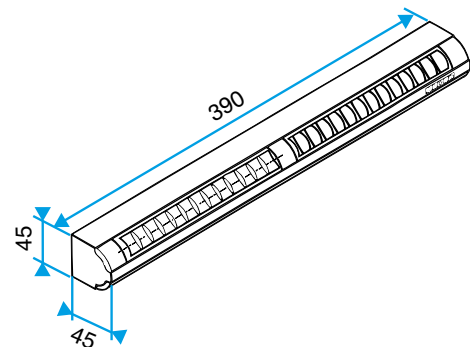
| References | Colour |
|------------|--------|
| 11011158 | Oak |

Dimensional data

| References | H (mm) | w (mm) | L (mm) | Slot (mm) |
|------------|--------|--------|--------|---------------------------|
| 11011158 | 39 | 43 | 390 | 2 x (172 x 12);(250 x 15) |



EA22, EA30; Entraxe = 370 mm



EA45; Entraxe = 370 mm

11011158 EA Module 22 m³/h - 37 dB - Oak

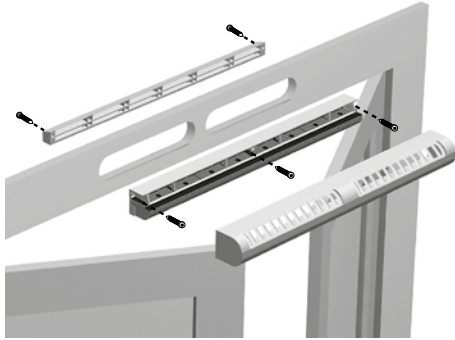
Airflow data

| References | Airflow (m ³ /h) |
|------------|-----------------------------|
| 11011158 | 22 |

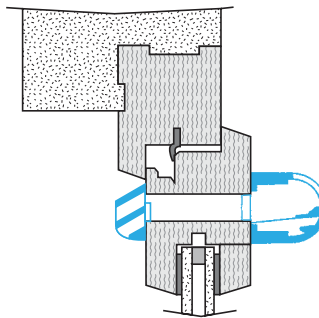
Acoustic data

| References | D _{new} (Ctr) with standard cover (dB) | D _{new} (Ctr) with standard cover and acoustic spacer (dB) | D _{new} (Ctr) with acoustic cover and acoustic spacer (dB) | D _{new} (Ctr) with acoustic cover (dB) |
|------------|---|---|---|---|
| 11011158 | 37 | 38 | 40 | 39 |

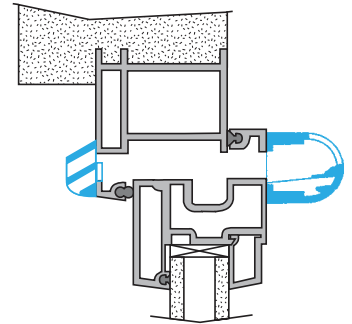
Installation visual 1



Mise en œuvre entrée d'air EA



Coupe entrée d'air EA



Curve

