

11011132

EA Module 30 m³/h - 37 dB - White

EA is an acoustic self-balanced air inlet for installation in woodwork on individual houses and multi-occupancy residential buildings.



EA self-balanced air inlet

PRODUCT BENEFITS

- soundproofing up to 41 dB,
- Hygro A compatible for NF certified versions,
- no visible screw attachment.

Principles of operation

EA is a self-balanced air inlet. It ensures a constant airflow of fresh air, whatever the conditions inside the dwelling.

Product description

EA is an acoustic self-balanced air inlet for installation in woodwork on individual houses and multi-occupancy residential buildings. It ensures a constant airflow of fresh air, whatever the conditions inside the dwelling. Hygro A-compatible for NF-certified versions.

Fields of application

Multi-occupancy residential housing, Individual residential housing, Refurbishment

Installation

- air inlets must only be mounted in the main rooms of the dwelling: bedrooms, living room, lounge, etc.
- they must be installed inside dwellings, in the upper part of windows or on the vertical panel of a roller shutter box,
- the incoming airflow must be oriented towards the ceiling,
- can be installed on any type of mortise:
 - double slot 2 x (172 x 12) mm or
 - single slot 250 x 15 mm.

Reference arguments

Application: Self-balanced acoustic air inlet, 30 m³/h, air jet oriented towards ceiling

Description:

- Double slot: 2 x (172 x 12) mm or single slot (250 x 15) mm.
- Dimensions: 39x39x39 mm
- White colour
- Installed on joinery
- Vanes provide anti-insect protection
- No visible screw attachment
- Soundproofing 36 dB

11011132 EA Module 30 m³/h - 37 dB - White

Main characteristics

- self-balanced acoustic air inlet,
- for installation on joinery,
- exists in different colours.

Accessories

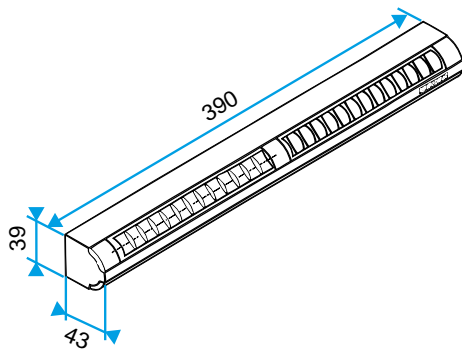
Désignations	References
Long adapter flange - Brown	11011415
Woodwork cover - Brown	11011814
APP rain hood cover woodwork - White	11011901
Acoustic cover for EHL, EA and EHB2 - Brown	11011260
Acoustic spacer for EA - Brown	11011278
Acoustic spacer for EA - Light Oak	11011280
Acoustic spacer for EA - Ivory	11011281
Louvre cover - White	11011237
Standard cover - Light Oak	11011274
Woodwork cover - Anthracite	11011424
Woodwork cover - Ivory	11011699
Woodwork cover - Aluminium	11011753
Woodwork cover - Black	11011813
Woodwork cover - Oak	11011815
Woodwork cover - White	11011988
Acoustic cover for EHL, EA and EHB2 - White	11011972
Acoustic cover for EHL, EA and EHB2 - Aluminium	11011755
Acoustic cover for EHL, EA and EHB2 - Light Oak	11011271
Acoustic cover for EHL, EA and EHB2 - Oak	11011261
Acoustic cover for EHL, EA and EHB2 - Black	11011262
Acoustic cover for EHL, EA and EHB2 - Ivory	11011263
Acoustic cover for EHL, EA and EHB2 - Anthracite	11011425
Anti-insect acoustic cover for EHL, EA and EHB2 - White	11011426
Long adapter flange - White	11011413
Long adapter flange - Oak	11011414
Long adapter flange - Aluminium	11011417
Long adapter flange - Light Oak	11011418
Long adapter flange - Ivory	11011419
Long adapter flange - Black	11011416

General data

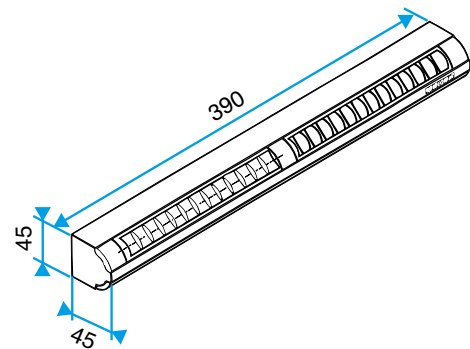
References	Colour
11011132	Lagoon blue

Dimensional data

References	H (mm)	w (mm)	L (mm)	Slot (mm)
11011132	39	43	390	2 x (172 x 12);(250 x 15)



EA22, EA30; Entraxe = 370 mm



EA45; Entraxe = 370 mm

11011132 EA Module 30 m³/h - 37 dB - White

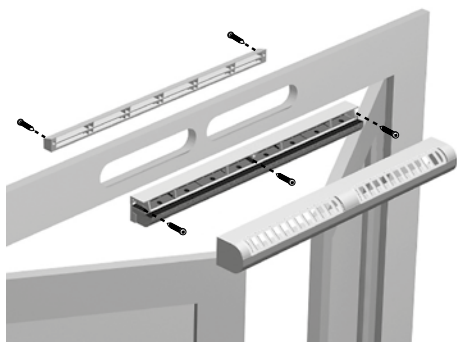
Airflow data

References	Airflow (m ³ /h)
11011132	30

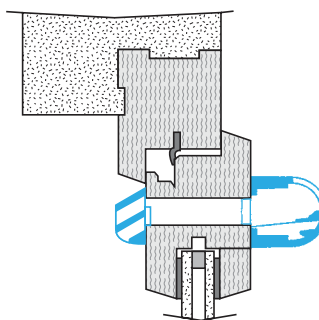
Acoustic data

References	Dnew (Ctr) with standard cover (dB)	Dnew (Ctr) with standard cover and acoustic spacer (dB)	Dnew (Ctr) with acoustic cover and acoustic spacer (dB)	Dnew (Ctr) with acoustic cover (dB)
11011132	37	37	39	38

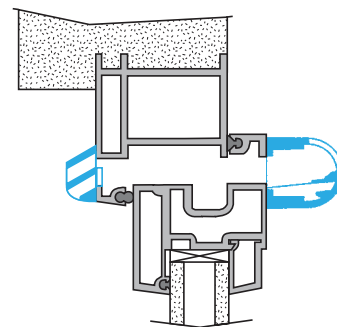
Installation visual 1



Mise en œuvre entrée d'air EA



Coupe entrée d'air EA



Curve

