

# 11011151

## EA Module 45 m<sup>3</sup>/h - 36 dB - Black

EA is an acoustic self-balanced air inlet for installation in woodwork on individual houses and multi-occupancy residential buildings.



EA self-balanced air inlet: pitch 370 mm

### PRODUCT BENEFITS

- soundproofing up to 41 dB,
- Hygro A compatible for NF certified versions,
- no visible screw attachment.

### Principles of operation

EA is a self-balanced air inlet. It ensures a constant airflow of fresh air, whatever the conditions inside the dwelling.

### Product description

EA is an acoustic self-balanced air inlet for installation in woodwork on individual houses and multi-occupancy residential buildings. It ensures a constant airflow of fresh air, whatever the conditions inside the dwelling. Hygro A-compatible for NF-certified versions.

### Fields of application

Multi-occupancy residential housing, Individual residential housing, Refurbishment

### Installation

- air inlets must only be mounted in the main rooms of the dwelling: bedrooms, living room, lounge, etc.
- they must be installed inside dwellings, in the upper part of windows or on the vertical panel of a roller shutter box,
- the incoming airflow must be oriented towards the ceiling,
- can be installed on any type of mortise:
  - double slot 2 x (172 x 12) mm or
  - single slot 250 x 15 mm.

### Reference arguments

Application:

- Double slot: 2 x (172 x 12) mm or single slot (250 x 15) mm.
- Installed on joinery.

Description:

- Vanes provide anti-insect protection.
- No visible screw attachment.
- Soundproofing 36 to 41 dB.

## 11011151 EA Module 45 m3/h - 36 dB - Black

### Main characteristics

- self-balanced acoustic air inlet,
- for installation on joinery,
- exists in different colours.

### Accessories

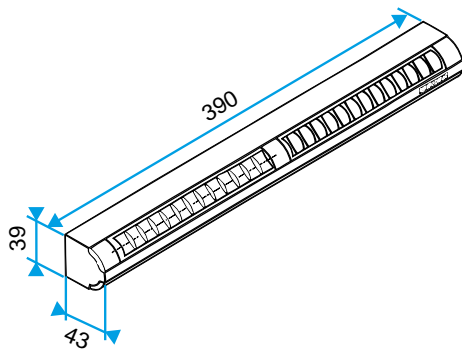
Désignations	References
Long adapter flange - Brown	11011415
Woodwork cover - Brown	11011814
APP rain hood cover woodwork - White	11011901
Acoustic cover for EHL, EA and EHB2 - Brown	11011260
Acoustic spacer for EA - Brown	11011278
Acoustic spacer for EA - Light Oak	11011280
Acoustic spacer for EA - Ivory	11011281
Louvre cover - White	11011237
Standard cover - Light Oak	11011274
Woodwork cover - Anthracite	11011424
Woodwork cover - Ivory	11011699
Woodwork cover - Aluminium	11011753
Woodwork cover - Black	11011813
Woodwork cover - Oak	11011815
Woodwork cover - White	11011988
Acoustic cover for EHL, EA and EHB2 - White	11011972
Acoustic cover for EHL, EA and EHB2 - Aluminium	11011755
Acoustic cover for EHL, EA and EHB2 - Light Oak	11011271
Acoustic cover for EHL, EA and EHB2 - Oak	11011261
Acoustic cover for EHL, EA and EHB2 - Black	11011262
Acoustic cover for EHL, EA and EHB2 - Ivory	11011263
Acoustic cover for EHL, EA and EHB2 - Anthracite	11011425
Anti-insect acoustic cover for EHL, EA and EHB2 - White	11011426
Long adapter flange - White	11011413
Long adapter flange - Oak	11011414
Long adapter flange - Aluminium	11011417
Long adapter flange - Light Oak	11011418
Long adapter flange - Ivory	11011419
Long adapter flange - Black	11011416

### General data

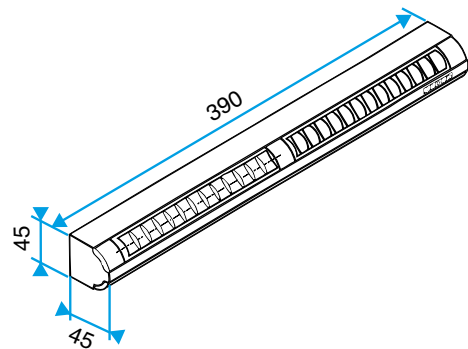
References	Colour
11011151	Wenge

### Dimensional data

References	H (mm)	w (mm)	L (mm)	Slot (mm)
11011151	45	43	390	2 x (172 x 12);(250 x 15)



EA22, EA30; Entraxe = 370 mm



EA45; Entraxe = 370 mm

## 11011151 EA Module 45 m<sup>3</sup>/h - 36 dB - Black

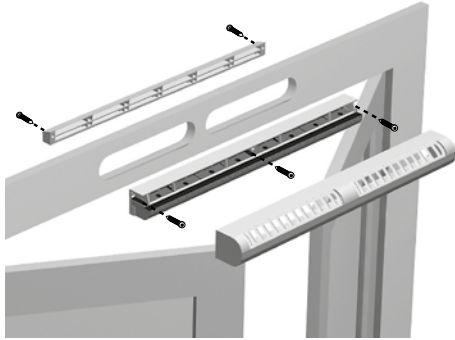
### Airflow data

References	Airflow (m <sup>3</sup> /h)
11011151	45

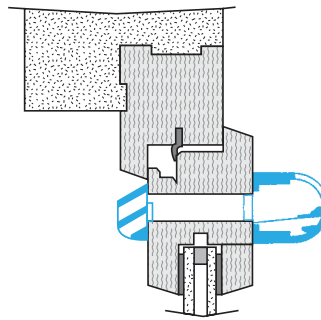
### Acoustic data

References	D <sub>new</sub> (Ctr) with standard cover (dB)	D <sub>new</sub> (Ctr) with standard cover and acoustic spacer (dB)	D <sub>new</sub> (Ctr) with acoustic cover and acoustic spacer (dB)	D <sub>new</sub> (Ctr) with acoustic cover (dB)
11011151	36	38	40	39

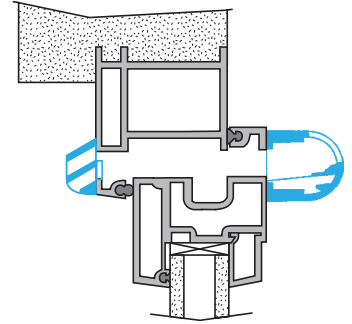
### Installation visual 1



Mise en œuvre entrée d'air EA



Coupe entrée d'air EA



### Curve

