

11011141

EAI Module 30 m³/h - 36 dB - Aluminium

EAI is an acoustic self-balanced air inlet for installation in woodwork on individual houses and multi-occupancy residential buildings.



EAI self-balanced air inlet: pitch 370 mm

PRODUCT BENEFITS

- accessory-free soundproofing up to 38 dB,
- no visible screw attachment.

Principles of operation

EAI is a self-balanced air inlet. It ensures a constant airflow of fresh air, whatever the conditions inside the dwelling.

Product description

EAI is an acoustic self-balanced air inlet for installation in woodwork on individual houses and multi-occupancy residential buildings. It ensures a constant airflow of fresh air, whatever the conditions inside the dwelling.

Fields of application

Multi-occupancy residential housing, Individual residential housing, Refurbishment

Installation

- The air inlets should only be installed in main rooms: bedroom, living room, lounge,
- they must be installed in the upper part of windows or on the roller shutter box,
- the airflow must be directed at the ceiling,
- installed on woodwork,
- installed on any type of mortise,
- single slot 250 x 15 mm.

Reference arguments

Application:

- Double slot: 2 x (172 x 12) mm or single slot (250 x 15) mm.
- Installed on joinery.

Description:

- Vanes provide anti-insect protection.
- No visible screw attachment.
- Soundproofing 36 to 41 dB.

11011141 EAI Module 30 m³/h - 36 dB - Aluminium

Main characteristics

- acoustic air inlet for woodwork,
- installed in:
- single-slot mortise 250 x 15 mm.

Accessories

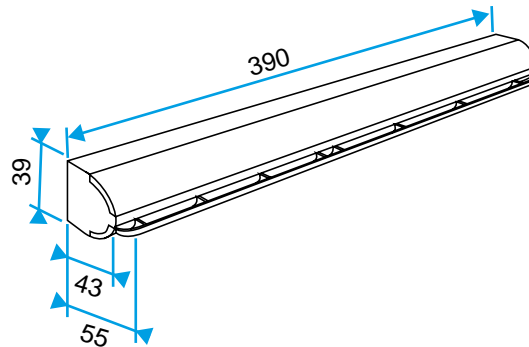
Désignations	References
Louvre cover - White	11011237
Standard cover - Light Oak	11011274
Woodwork cover - Ivory	11011699
Woodwork cover - Aluminium	11011753
Woodwork cover - Black	11011813
Woodwork cover - Brown	11011814
Woodwork cover - Oak	11011815
Woodwork cover - Anthracite	11011424
Woodwork cover - White	11011988
APP rain hood cover woodwork - White	11011901
Long adapter flange - White	11011413
Long adapter flange - Oak	11011414
Long adapter flange - Brown	11011415
Long adapter flange - Black	11011416
Long adapter flange - Aluminium	11011417
Long adapter flange - Light Oak	11011418
Long adapter flange - Ivory	11011419

General data

References	Colour
11011141	Aluminium with mosquito mesh

Dimensional data

References	H (mm)	w (mm)	L (mm)	Slot (mm)
11011141	39	43	390	(250 x 15)



Entraxe : 370 mm

Airflow data

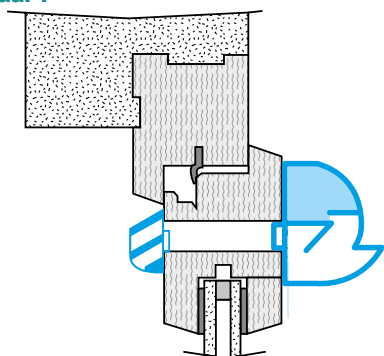
References	Airflow (m ³ /h)
11011141	30

11011141 EAI Module 30 m³/h - 36 dB - Aluminium

Acoustic data

References	Dnew (Ctr) with standard cover (dB)
11011141	38

Installation visual 1



Mise en œuvre entrée d'air EAI