

# 11011524

## EAO 45 white

EAO is an acoustic self-balanced air inlet for installation in woodwork on individual houses and multi-occupancy residential buildings.



EAO self-balanced air inlet

### PRODUCT BENEFITS

- soundproofing up to 41 dB,
- Hygro A compatible for NF certified versions,
- no visible screw attachment.

### Principles of operation

EAO is a self-balanced air inlet. It ensures a constant airflow of fresh air, whatever the conditions inside the dwelling.

### Product description

EAO is an acoustic self-balanced air inlet for installation in woodwork on individual houses and multi-occupancy residential buildings. It ensures a constant airflow of fresh air, whatever the conditions inside the dwelling. Hygro A-compatible for NF-certified versions.

### Fields of application

Multi-occupancy residential housing, Individual residential housing, Refurbishment

### Installation

- air inlets must only be mounted in the main rooms of the dwelling: bedrooms, living room, lounge, etc.
- they must be installed inside dwellings, in the upper part of windows or on the vertical panel of a roller shutter box,
- the incoming airflow must be oriented towards the ceiling,
- can be installed on any type of mortise:
  - double slot 2 x (172 x 12) mm or
  - single slot 250 x 15 mm.

## 11011524 EAO 45 white

### Main characteristics

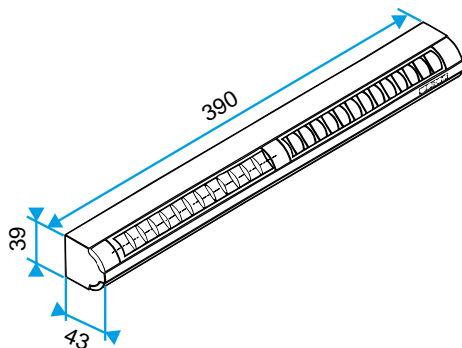
- self-balanced acoustic air inlet,
- for installation on joinery,
- exists in different colours.

### Accessories

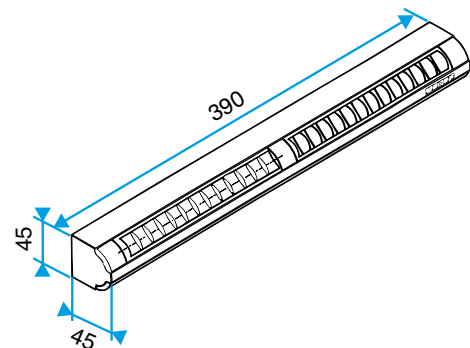
Désignations	References
Long adapter flange - Brown	11011415
Woodwork cover - Brown	11011814
APP rain hood cover woodwork - White	11011901
Acoustic cover for EHL, EA and EHB2 - Brown	11011260
Acoustic spacer for EA - Brown	11011278
Acoustic spacer for EA - Light Oak	11011280
Acoustic spacer for EA - Ivory	11011281
Louvre cover - White	11011237
Standard cover - Light Oak	11011274
Woodwork cover - Anthracite	11011424
Woodwork cover - Ivory	11011699
Woodwork cover - Aluminium	11011753
Woodwork cover - Black	11011813
Woodwork cover - Oak	11011815
Woodwork cover - White	11011988
Acoustic cover for EHL, EA and EHB2 - White	11011972
Acoustic cover for EHL, EA and EHB2 - Aluminium	11011755
Acoustic cover for EHL, EA and EHB2 - Light Oak	11011271
Acoustic cover for EHL, EA and EHB2 - Oak	11011261
Acoustic cover for EHL, EA and EHB2 - Black	11011262
Acoustic cover for EHL, EA and EHB2 - Ivory	11011263
Acoustic cover for EHL, EA and EHB2 - Anthracite	11011425
Anti-insect acoustic cover for EHL, EA and EHB2 - White	11011426
Long adapter flange - White	11011413
Long adapter flange - Oak	11011414
Long adapter flange - Aluminium	11011417
Long adapter flange - Light Oak	11011418
Long adapter flange - Ivory	11011419
Long adapter flange - Black	11011416

### Dimensional data

References	H (mm)	w (mm)	L (mm)
11011524	45	43	390



EA22, EA30; Entraxe = 370 mm



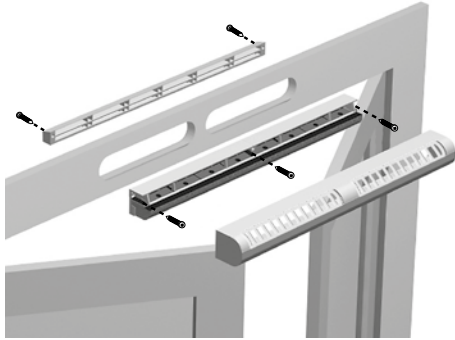
EA45; Entraxe = 370 mm

## 11011524 EAO 45 white

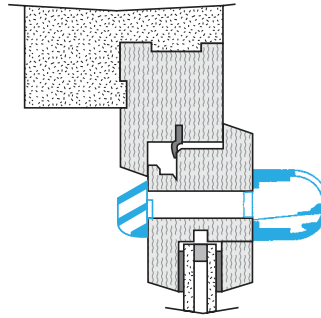
### Acoustic data

References	Dnew (Ctr) with standard cover (dB)	Dnew (Ctr) with standard cover and acoustic spacer (dB)	Dnew (Ctr) with acoustic cover and acoustic spacer (dB)	Dnew (Ctr) with acoustic cover (dB)
11011524	36	38	40	39

### Installation visual 1



Mise en œuvre entrée d'air EA



Coupe entrée d'air EA

