

11033053

EASYHOME HYGRO COMPACT Premium SP unit

EasyHOME Hygro COMPACT Premium SP is a low-consumption, multi-position, humidity-controlled ventilation solution offering up to 7 speeds.



Groupe COMPACT SP



COMPACT SP unit top view

PRODUCT BENEFITS

- up to 7 fan speeds,
- compatible with multiple ducts using EasyCLIP connection accessories for flexible or semi-rigid ducting,
- 77% recycled plastic.

REGLEMENTATIONS AND COMPLIANCES

Identification no. QB37 : NA
Technical Opinion no. : NA

Principles of operation

EasyHOME HYGRO renews the air throughout your dwelling and removes ambient humidity.

In each room, the humidity-controlled terminals detect humidity or occupation, to ensure the ventilation airflow is automatically adjusted to suit your needs.

Product description

EasyHOME HYGRO COMPACT Premium SP is a humidity-controlled unidirectional ventilation solution which adapts the air renewal rate to the humidity level or the presence of occupants in the dwelling, thereby preventing pointless heat losses.

The rate is controlled room by room by the humidity-controlled terminals.

EasyHOME HYGRO COMPACT Premium SP features a very low-consumption motor and offers up to 7 speeds. The operating pressure can be adjusted on site to adapt to the installation.

EasyHOME HYGRO COMPACT Premium SP is compatible with multiple ducting solutions and can be installed with Optiflex semi-rigid ducts for an airtight, high-performance installation.

Ultra-flat and multi-position, EasyHOME HYGRO COMPACT Premium SP is suitable for installation in small interior spaces, for example in a suspended ceiling or utility room.

Fields of application

Multi-occupancy residential housing, Individual residential housing, New, Refurbishment

Installation

- multi-position installation: wall, ceiling, floor, sloped surface,
- just 2 attachment screws: centreline 406 mm,
- built-in anti-vibration strips,
- quick-connect electrical terminal block,
- compatible with all types of ducting:
 - Algaine flexible ducts,
 - Optiflex semi-rigid ducts,
 - Minigaine rigid ducts,
 - ducting must be insulated outside of heated spaces.
- Algaine EasyCLIP accessories supplied: quick-fit connectors and collar clamps for simplified connection of flexible ducts on the unit,
- Optiflex EasyCLIP accessories available as optional extras.

Reference arguments

- Application:
 - For individual houses or apartments,
 - Unidirectional ventilation systems,
 - Connections for 1 kitchen and up to 4 bath/WC,
- Description:
 - COMPACT unit made of recyclable plastic: 1 x Ø125 kitchen connection, 4 x Ø80 bath/WC connections, 1 x Ø160 discharge,
 - EC low-consumption motor, 7 speeds.

11033053

EASYHOME HYGRO COMPACT Premium SP unit

Main characteristics

- COMPACT unit made of recyclable plastic,
- connections on unit:
 - 1 x Ø 125 mm connection for kitchen,
 - 4 x Ø 80 mm connections for bathrooms/WC,
 - 1 x Ø 160 mm outlet.
- exhaust airflow regulated by humidity-controlled terminals according to ambient humidity,
- installation symbols on the unit,
- EC low-consumption motor, SP version: 7 speeds corresponding to 7 pressure levels from 50 to 250 Pa, can be adjusted on site by installer to manage system pressure losses,
- combine with Bahia Curve humidity-controlled terminals.

Contents of kits

- Plug Ø 80 mm; 2

Accessories

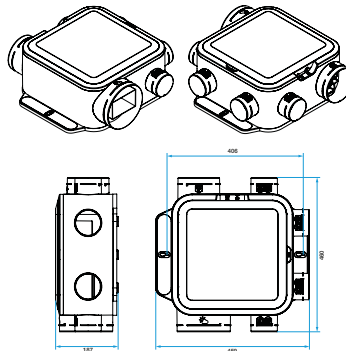
Désignations	References
Outlet adapter EasyHOME Ø160/125 mm	11026025
Collar + connector EasyCLIP Ø125 mm	11033010
Collar + connector EasyCLIP Ø80 mm	11033011
Connector EasyCLIP + collar Ø 160 mm	11033016
OPTIFLEX® EasyClip accessory kit for EasyHOME units	11091994

General data

References	Number of connections Ø 125 mm	Number of connections Ø 80 mm	Maximum number of bathrooms/WC	Number of speeds	Type of motor
11033053	1	4	4	7	EC

Dimensional data

References	H (mm)	L (mm)	P (mm)	Ø discharge (mm)	Weight (kg)
11033053	187	459	460	160	3,6



Encombrement en mm

Airflow data

References	Max. airflow ErP (m³/h)
11033053	416

Acoustic data

References	Sound pressure at 2 m from the kitchen terminal (dB(A))	Sound power at kitchen terminal (dB(A))	Sound power at the unit at 100 m³/h (dB(A))	Sound power ErP (dB(A))
11033053	32	37	42	49

Thermal data

References	Average daily consumption 2-bed dwelling (1 bathroom + 1 WC) (W)
11033053	10,9

Electrical datas

References	Frequency (Hz)	Protection current (A)	Max. current (A)	Voltage (V)	Max. power
11033053	50	2	0,8	230	85

11033053 EASYHOME HYGRO COMPACT Premium SP unit

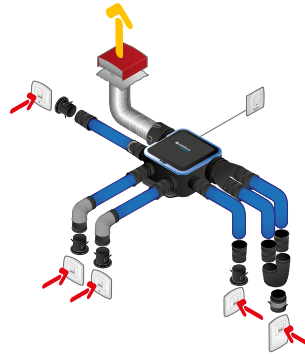
Regulatory data

References	Energy class ErP
11033053	B

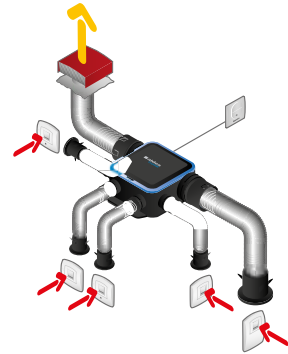
Installation visual 1



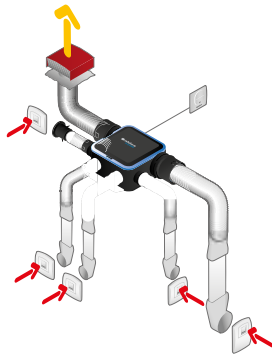
Montage faux-plafond



Installation avec conduits semi-rigides Optiflex



Installation avec conduits souples Algaïne isolée

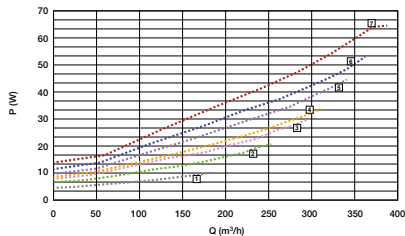
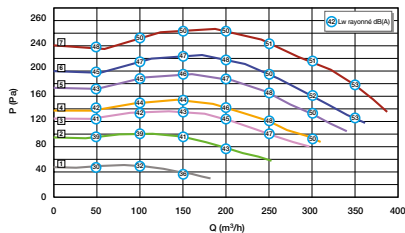


Installation avec conduits rigides Minigaine



EasyCLIP Algaïne

Curve



Aeralluc and acoustic curve EasyHOME Hygro COMPACT SP

Choice of 7 pressure levels [1] to [7] for 7 ventilation speeds, adjustable on site.