

# 11033066

## EASYHOME HYGRO Premium SP unit

EasyHOME HYGRO Premium SP is a low-consumption, humidity-controlled ventilation solution offering up to 7 operating speeds.



SP unit



MW unit top view

### PRODUCT BENEFITS

- up to 7 fan speeds,
- compatible with multiple ducts using EasyCLIP connection accessories for flexible or semi-rigid ducting,
- 77% recycled plastic.

### REGLEMENTATIONS AND COMPLIANCES

Identification no. QB37 : NA  
Technical Opinion no. : NA

### Principles of operation

EasyHOME HYGRO renews the air throughout your dwelling and removes ambient humidity.

In each room, the humidity-controlled terminals detect humidity or occupation, to ensure the ventilation airflow is automatically adjusted to suit your needs.

### Product description

EasyHOME HYGRO Premium SP is a humidity-controlled unidirectional ventilation solution which adapts the air renewal rate to the humidity level or the presence of occupants in the dwelling, thereby preventing pointless heat losses.

The rate is controlled room by room by the humidity-controlled terminals.

EasyHOME HYGRO Premium SP features a very low-consumption motor and offers up to 7 speeds. The operating pressure can be adjusted on site to adapt to the installation.

EasyHOME HYGRO Premium SP is compatible with multiple ducting solutions and can be installed with Optiflex semi-rigid ducts for an airtight, high-performance installation.

EasyHOME HYGRO premium SP can be installed in an attic.

### Fields of application

Individual residential housing, New, Refurbishment

### Installation

- suspended installation with cord provided,
- possible to mount on vertical wall using optional wall installation kit: centerline 95 mm,
- quick-connect electrical terminal block,
- compatible with all duct types:
  - Algaine flexible ducts,
  - Optiflex semi-rigid ducts,
  - Minigaine rigid ducts,
- ducting must be insulated outside of heated spaces.
- Algaine EasyCLIP accessories supplied: quick-fit connectors and collar clamps for simplified connection of flexible ducts on the unit,
- Optiflex EasyCLIP accessories available as optional extras.

### Main characteristics

- ATTIC unit made of recyclable plastic,
- connections on unit:
  - 2 x Ø 125 mm connections for kitchen and bathroom/WC
  - 5 x Ø 80 mm connections for bathroom/WC,
  - 1 x Ø 160 mm outlet.
- exhaust airflow regulated by humidity-controlled terminals according to ambient humidity,
- installation symbols on the unit,
- EC low-consumption motor, SP version: 7 speeds corresponding to 7 pressure levels from 50 to 250 Pa, can be adjusted on site by installer to manage system pressure losses,
  - possible to connect 1 to 7 operating speeds,
  - combine with Bahia Curve humidity-controlled terminals.

# 11033066

## EASYHOME HYGRO Premium SP unit

### Contents of kits

- suspension cord;1
- plug Ø 80 mm;3
- removable plug Ø 125/80 mm;1

### Accessories

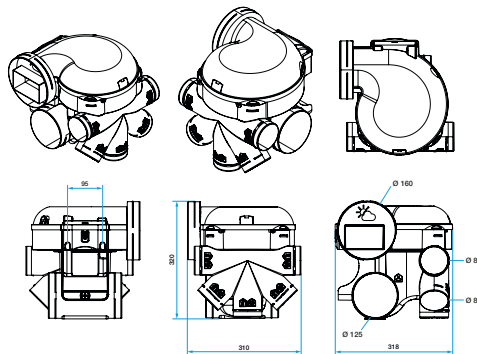
Désignations	References
Outlet adapter EasyHOME Ø160/125 mm	11026025
Collar + connector EasyCLIP Ø125 mm	11033010
Collar + connector EasyCLIP Ø80 mm	11033011
Wall mounting kit OPTIMA with silent blocks	11033015
Connector EasyCLIP + collar Ø 160 mm	11033016
OPTIFLEX® EasyClip accessory kit for EasyHOME units	11091994

### General data

References	Number of connections Ø 125 mm	Number of connections Ø 80 mm	Maximum number of bathrooms/ WC	Number of speeds	Type of motor
11033066	2	5	7	7	EC

### Dimensional data

References	H (mm)	L (mm)	P (mm)	Ø discharge (mm)	Weight (kg)
11033066	320	310	318	160	2,8



Encombrement en mm

### Airflow data

References	Max. airflow ErP (m³/h)
11033066	418

### Acoustic data

References	Sound pressure at 2 m from the kitchen terminal (dB(A))	Sound power at kitchen terminal (dB(A))	Sound power at the unit at 100 m³/h (dB(A))	Sound power ErP (dB(A))
11033066	32	37	46	53

### Thermal data

References	Average daily consumption 2-bed dwelling (1 bathroom + 1 WC) (W)
11033066	11,8

### Electrical datas

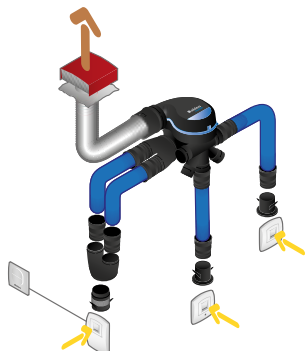
References	Frequency (Hz)	Protection current (A)	Max. current (A)	Voltage (V)	Max. power
11033066	50	2	0,8	230	85

# 11033066 EASYHOME HYGRO Premium SP unit

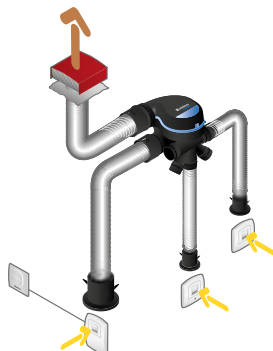
## Regulatory data

References	Energy class ErP
11033066	B

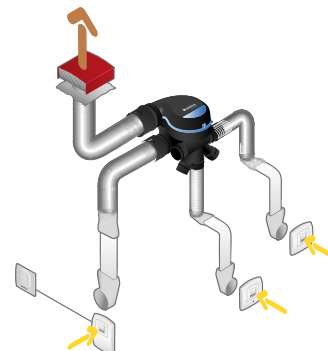
## Installation visual 1



Installation avec conduits semi-rigides Optiflex



Installation avec conduits souples Algaïne isolée



Installation avec conduits rigides Minigaine

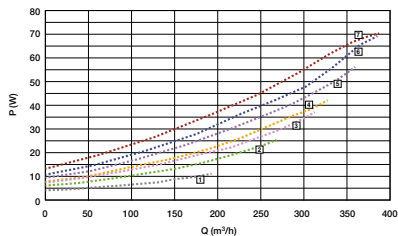
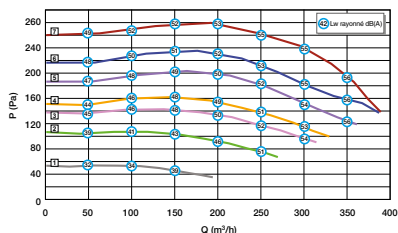


EasyCLIP Algaïne



EasyCLIP Optiflex (en option)

## Curve



Aerologic and acoustic curve EasyHOME Hygro SP

Choice of 7 pressure levels [1] to [7] for 7 ventilation speeds, adjustable on site.