

11094626

ECTA 100 L>2000 or H>2000 or L>1200 and H>1200

The ECTA rectangular sound attenuator strongly attenuates low, mid and high-frequency noise propagation in rectangular ducting.



ECTA 100

PRODUCT BENEFITS

- High-performance acoustic attenuation,
- energy savings: low pressure losses,
- fully configurable: dimensions, number of baffles, type of frame, etc.

Principles of operation

The ECTA comprises a single-piece panel made of 100 mm or 200 mm thick mineral wool which strongly absorbs noise. To maximise attenuation, several should be installed in series inside a ducting element.

Product description

The ECTA rectangular sound attenuator attenuates noise transmitted in the ventilation ducting and therefore ensures acoustic comfort inside non-residential and multi-occupancy residential buildings. The baffle is 100 mm or 200 mm thick and its L x H dimensions may be between 300 and 2400 mm.

Fields of application

Multi-occupancy residential housing, New, Refurbishment, Non-residential buildings

Installation

- installed in series in a rectangular ducting element,
- install between slides for better performance management,
- delivered as complete unit.

Main characteristics

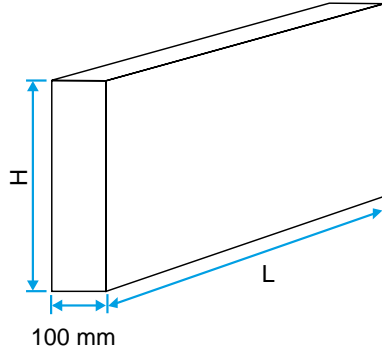
- thickness 100 mm or 200 mm,
- dimensions (L and H) from 300 to 2400 mm.
- single-piece panels made of mineral wool,
- density: 40 kg/m³,
- black anti-flocking glass mat, 1 mm thick in standard range (available on request: glass fibre for sterile rooms or perforated plate for high pressure and speed applications),
- galvanised steel frame, standard thickness 6/10° (available on request: 304 or 316L stainless steel),
- available on request: complete unit including the housing, riveted baffles and METU type connection frame,
- M0 fire certification, or A1 under Euroclass ratings,
- version tested to 400°C - 2 hours up to 10 m/s,
- Class B air tight properties as per EN 1751 (class C on request).

11094626

ECTA 100 L>2000 or H>2000 or L>1200 and H>1200

General data

References	Insulation density of the baffle (kg/m ³)	Insulation thickness of the baffle (mm)
11094626	40	100



ECTA 100

